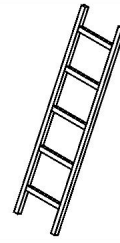
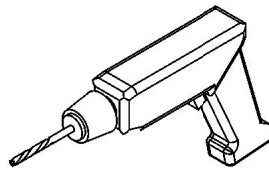
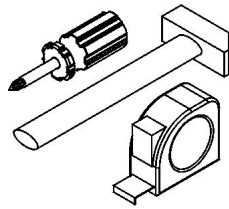
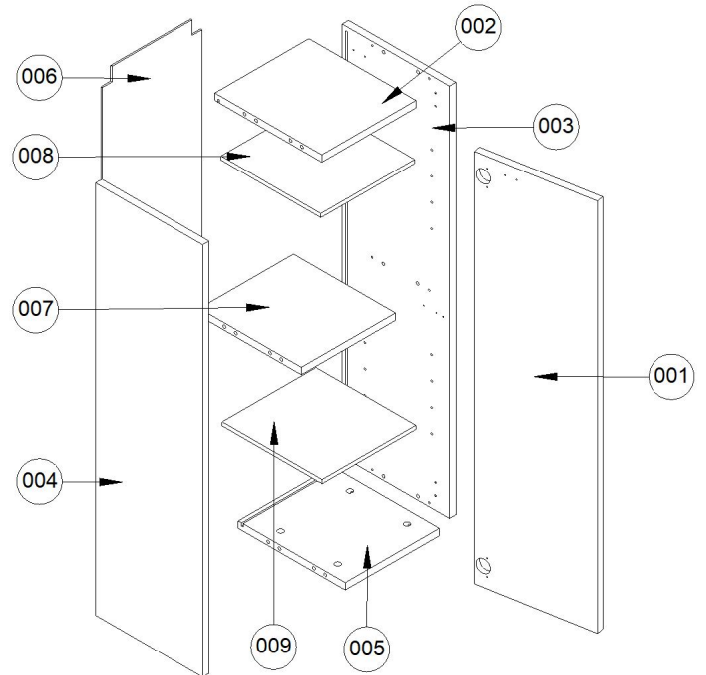
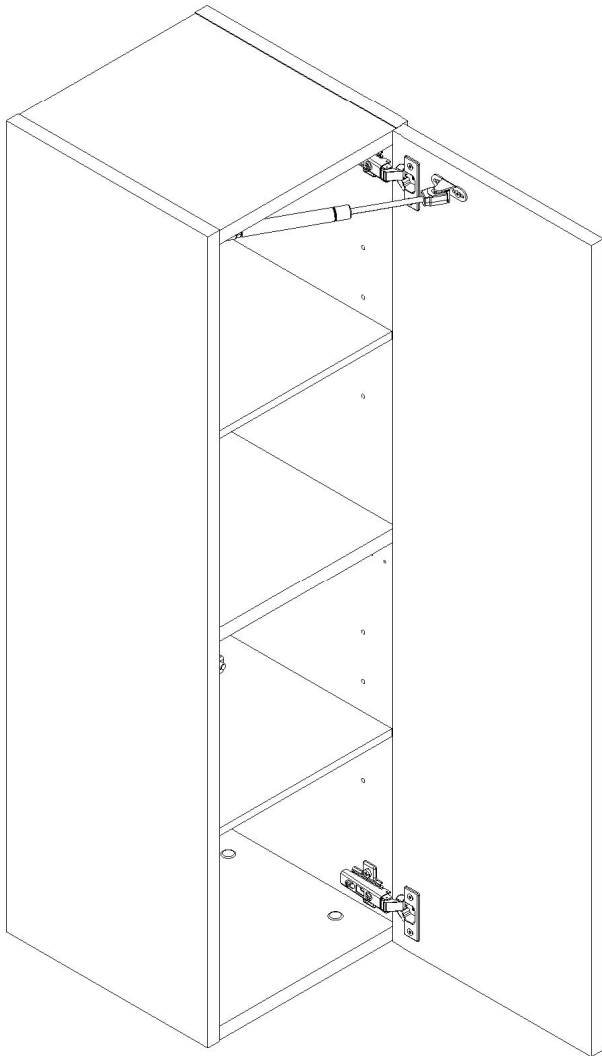




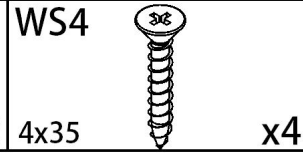
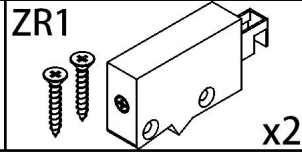
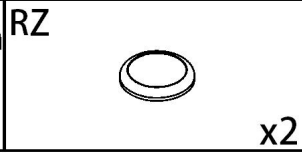
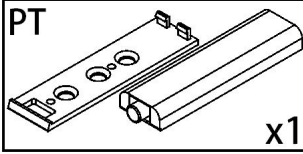
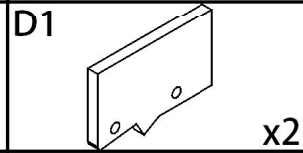
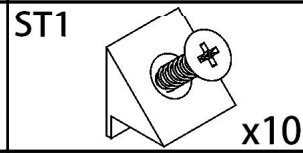
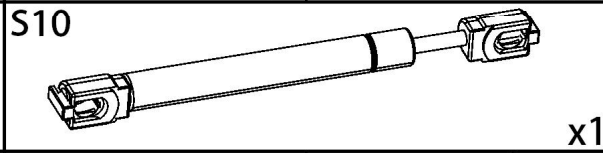
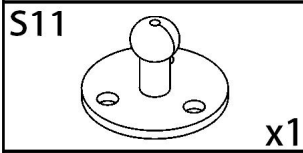
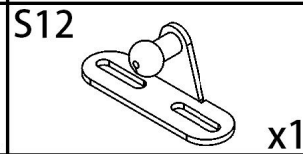
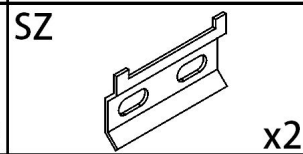
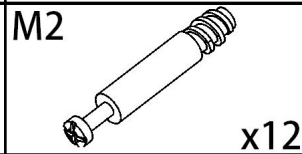
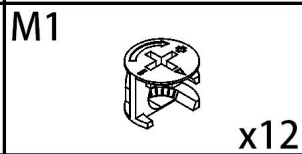
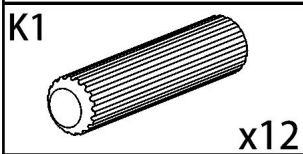
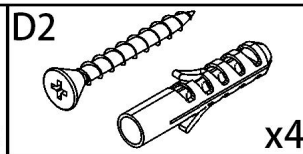
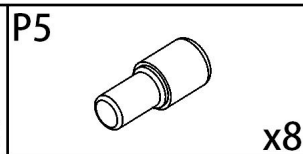
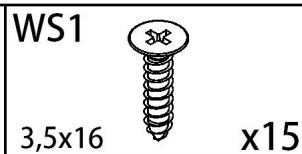
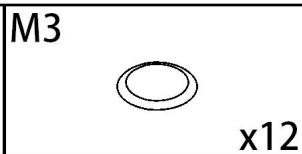
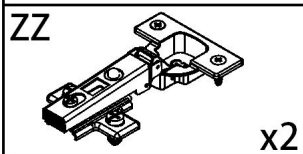
- 30 min.

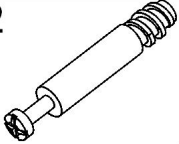

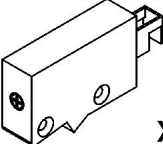

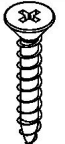
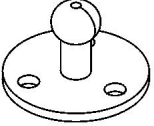
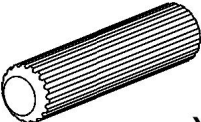
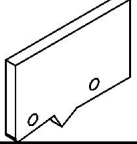
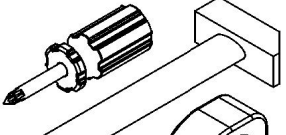


105Pi

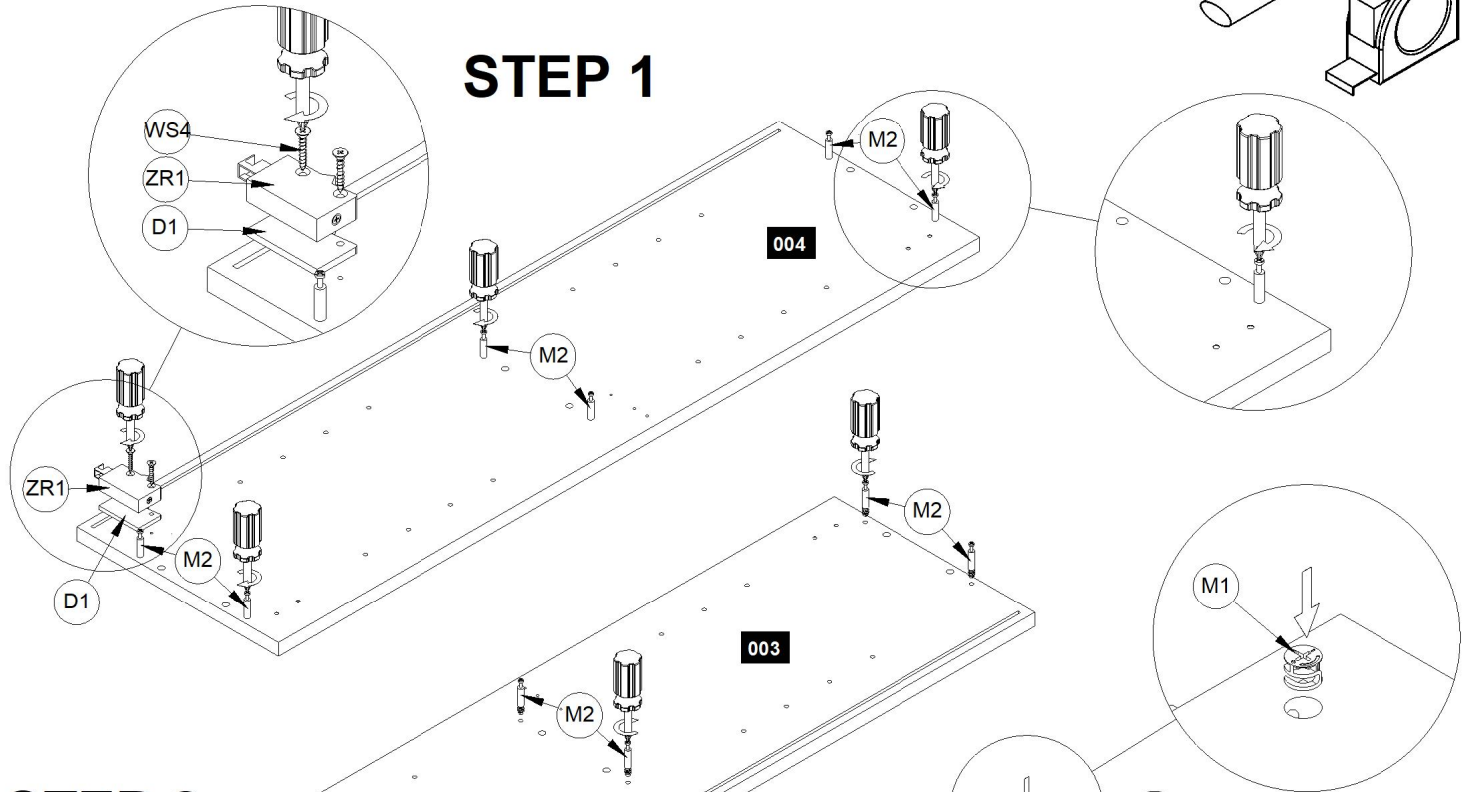


Number	Qty	Size A	Size B
001	1	1050	298
002	1	264	300
003	1	1050	301
004	1	1050	301
005	1	264	300
006	1	1028	280
007	1	264	286
008	1	263	280
009	1	263	280

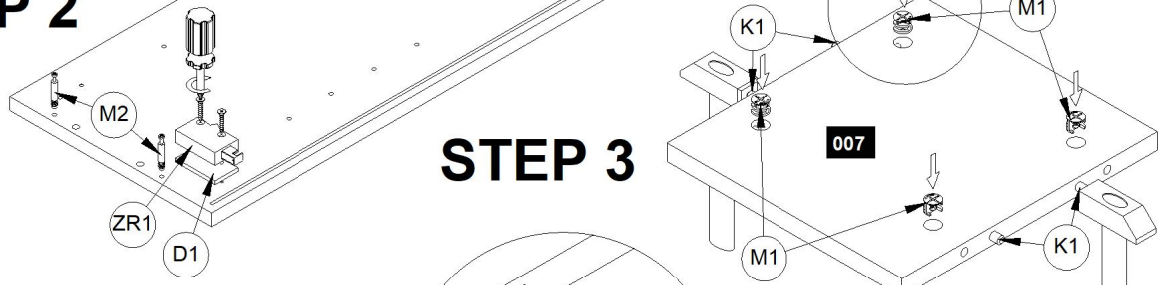


M2  x12	M1  x12	ZR1  x2	WS1  3,5x16 x15	WS4  4x35 x4
S11  x1	K1  x12	D1  x2		

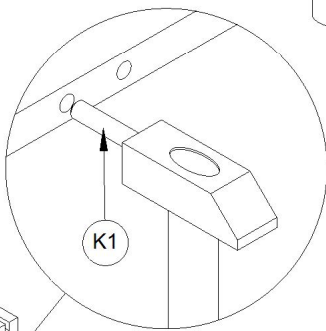
STEP 1



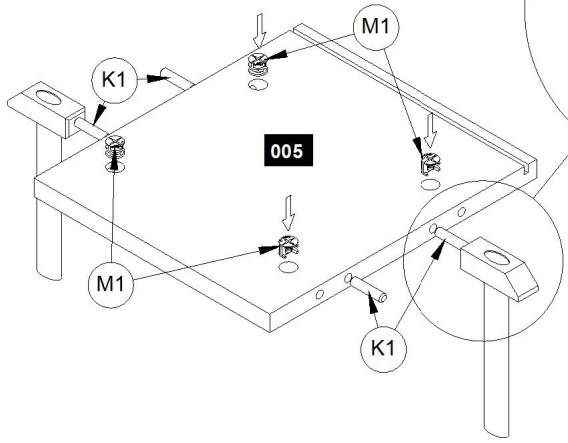
STEP 2



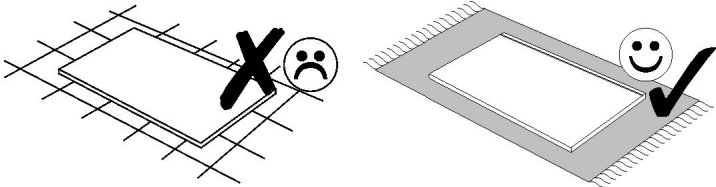
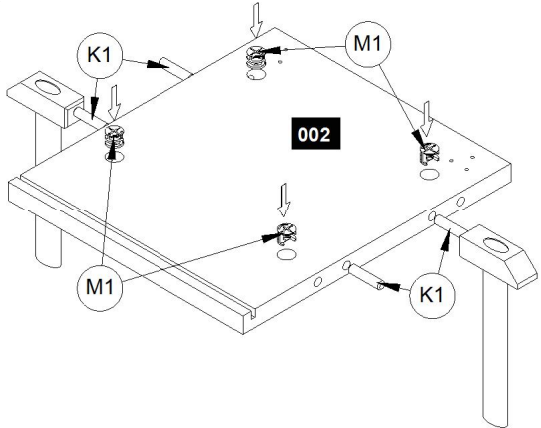
STEP 3



STEP 4



STEP 5

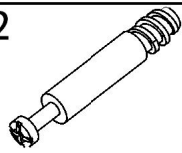


M1

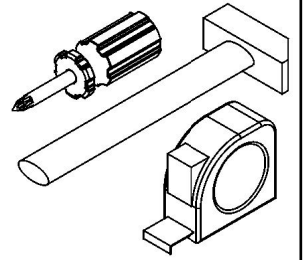


x12

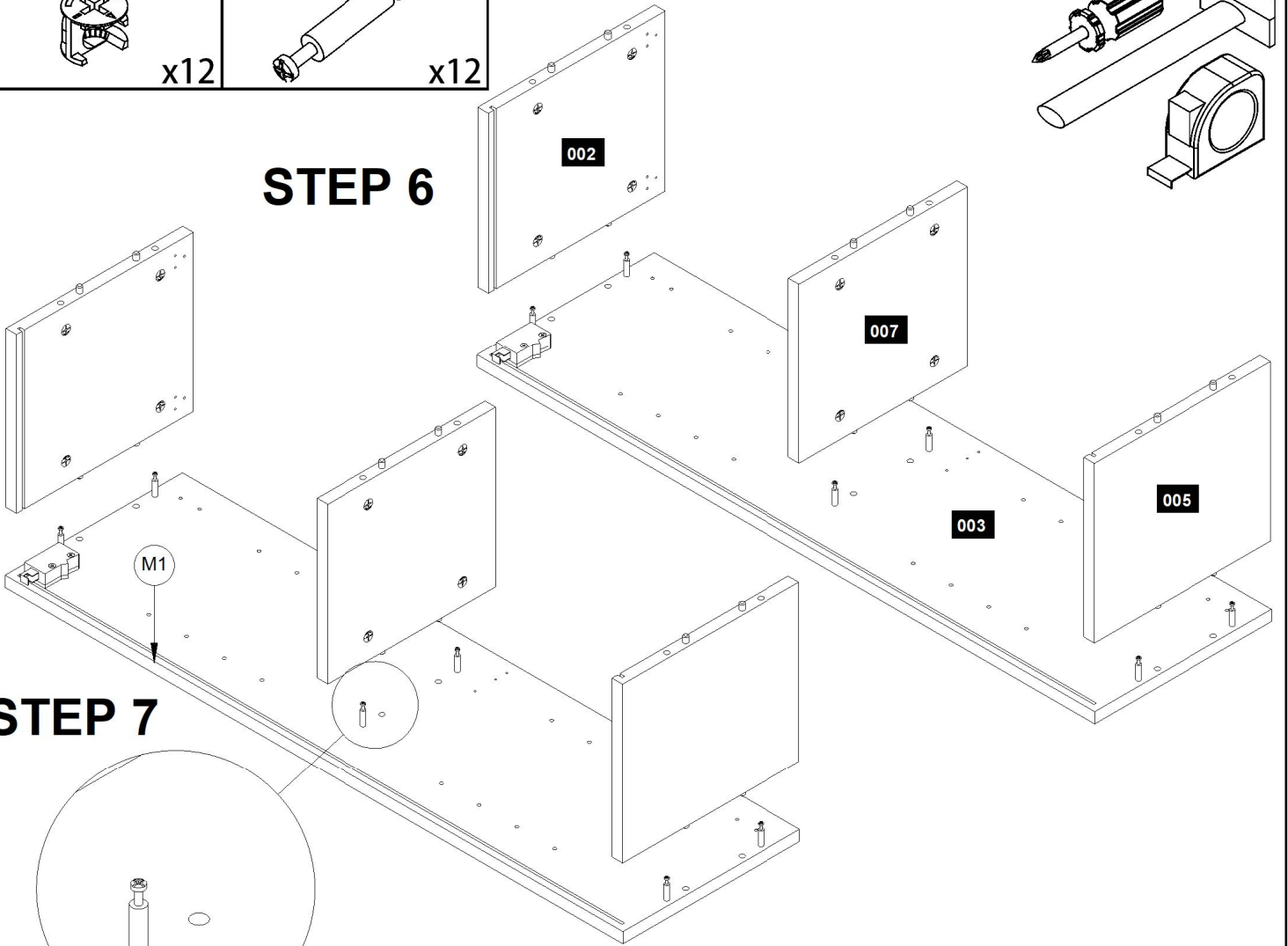
M2



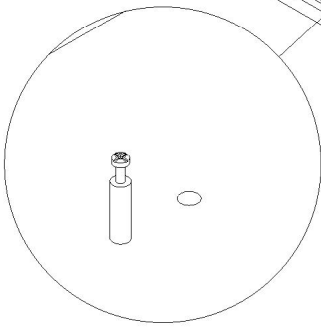
x12



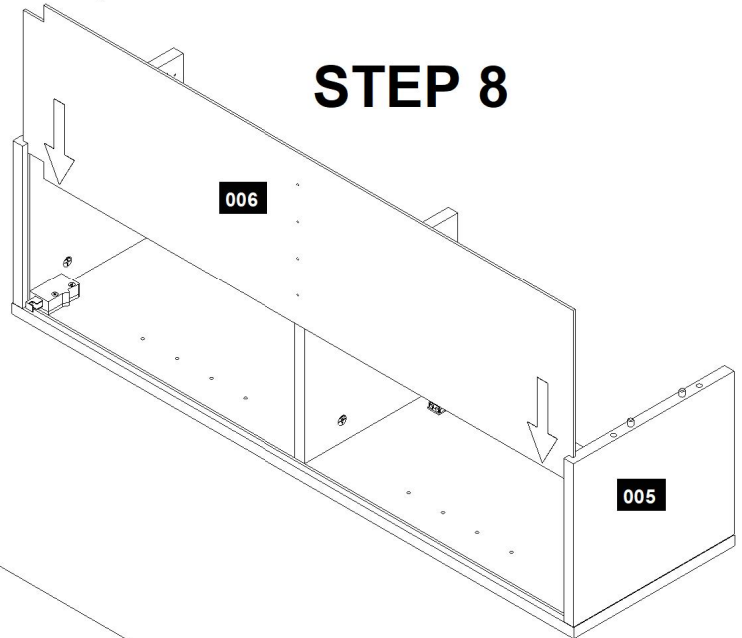
STEP 6



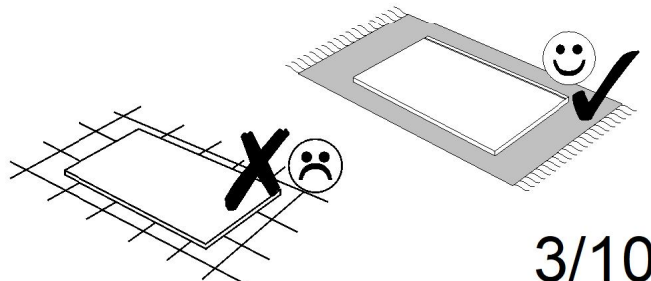
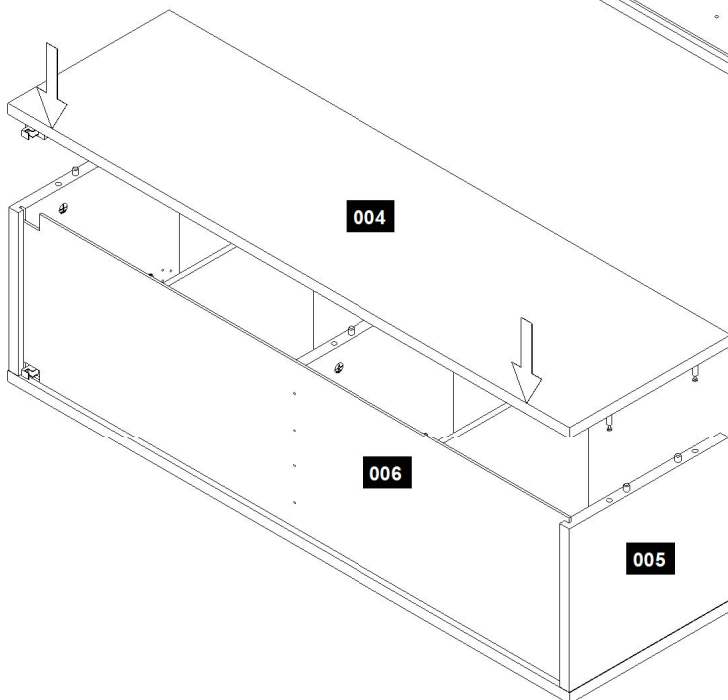
STEP 7

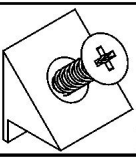



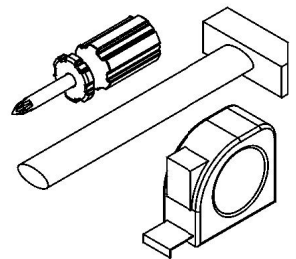
STEP 8



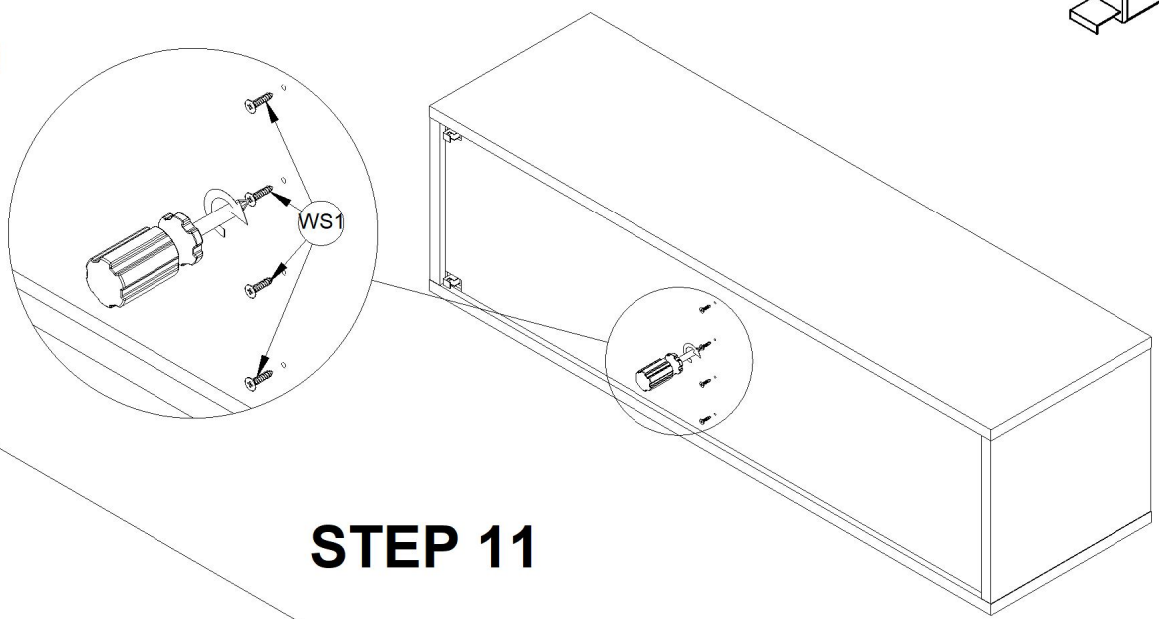
STEP 9



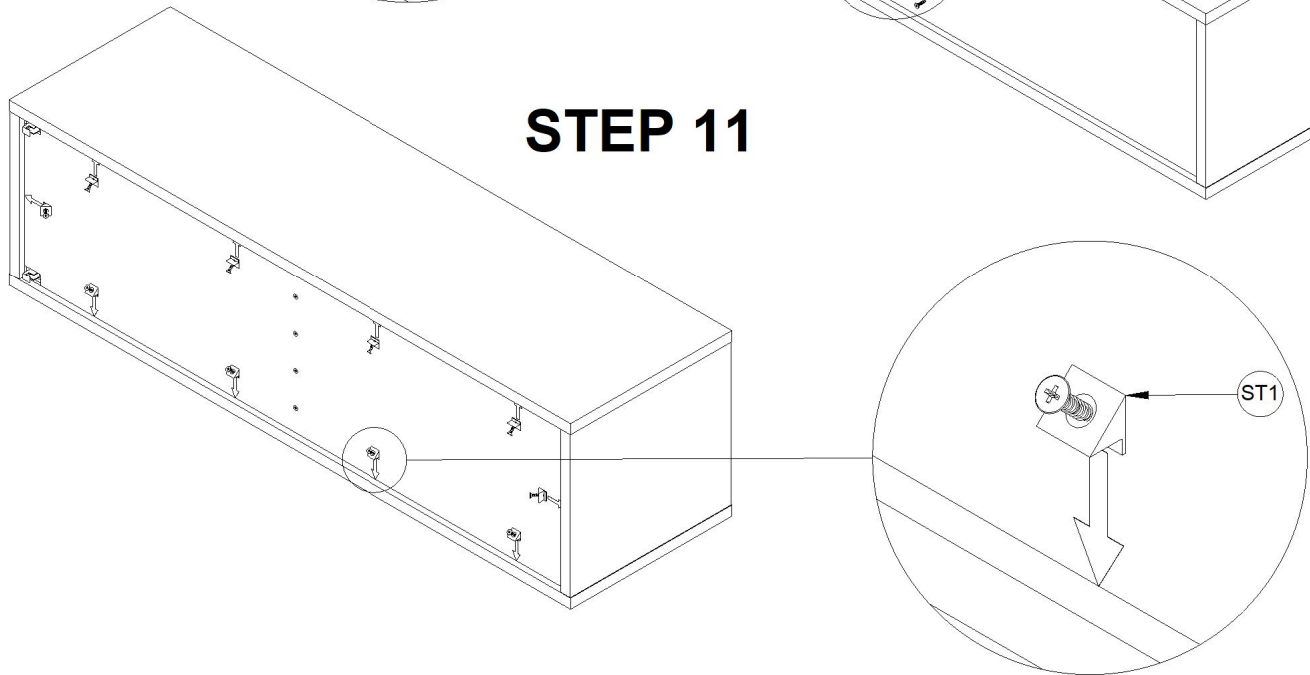
<p>ST1</p>  <p>x10</p>	<p>WS1</p>  <p>3,5x16</p> <p>x15</p>
--------------------------------------------------------------------------------------------------------	----------------------------------------------------------------------------------------------------------------------



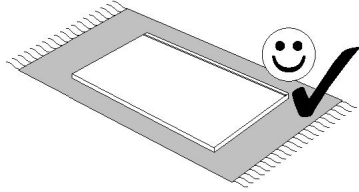
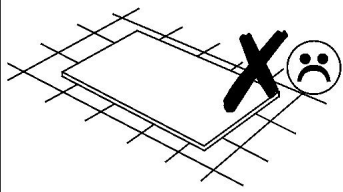
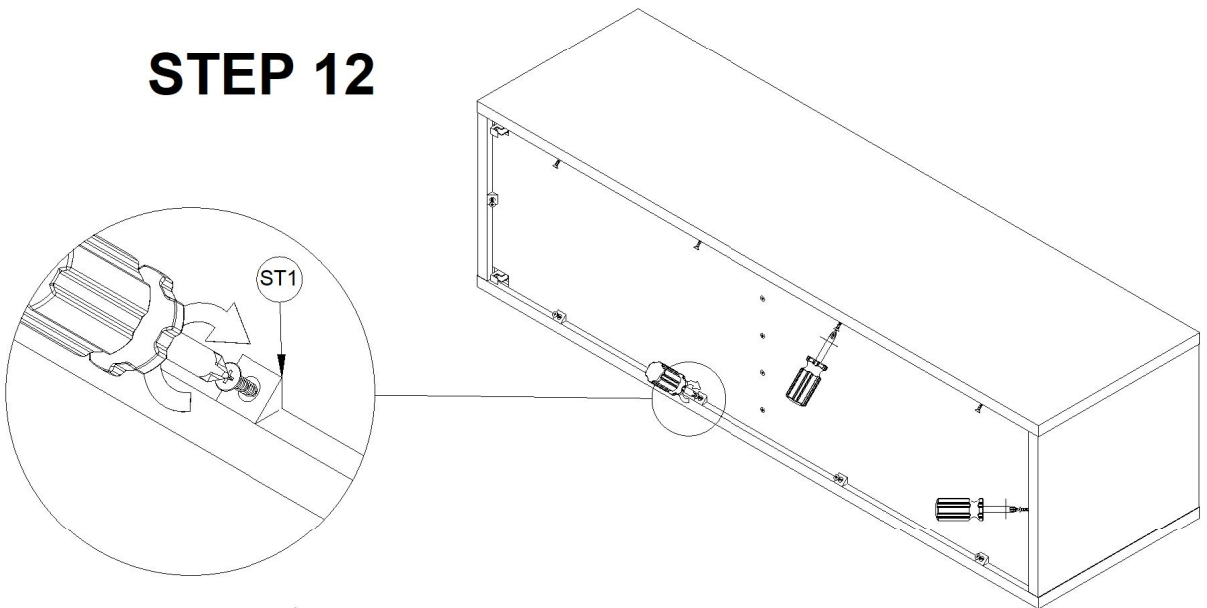
STEP 10





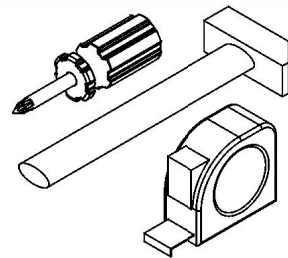
STEP 11



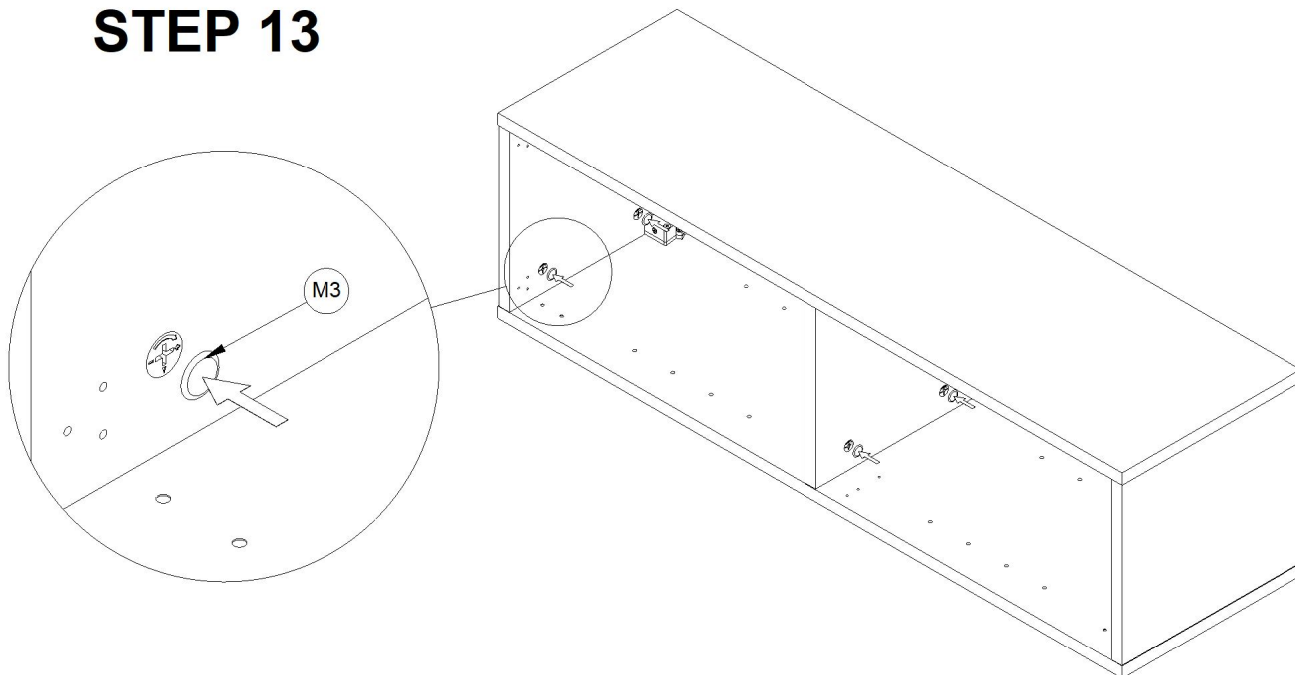
STEP 12



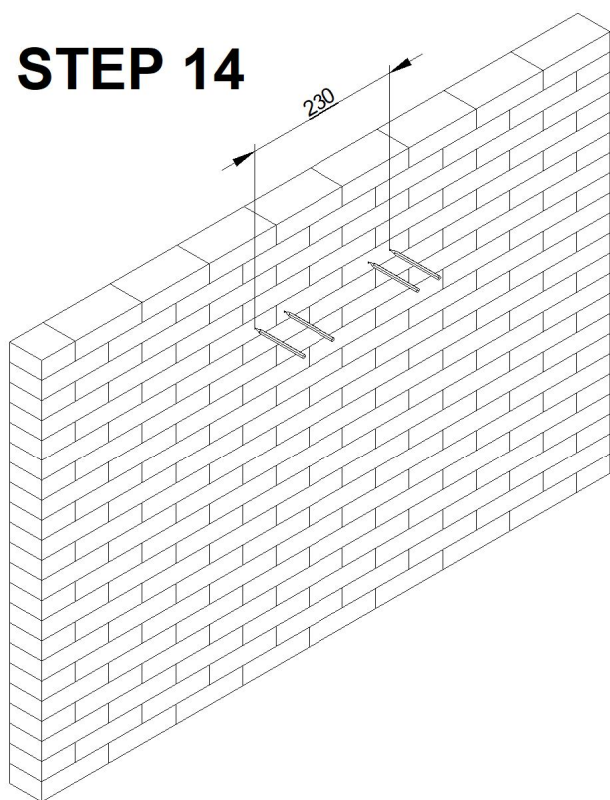
WS1		M3	
3,5x16	x15		x12



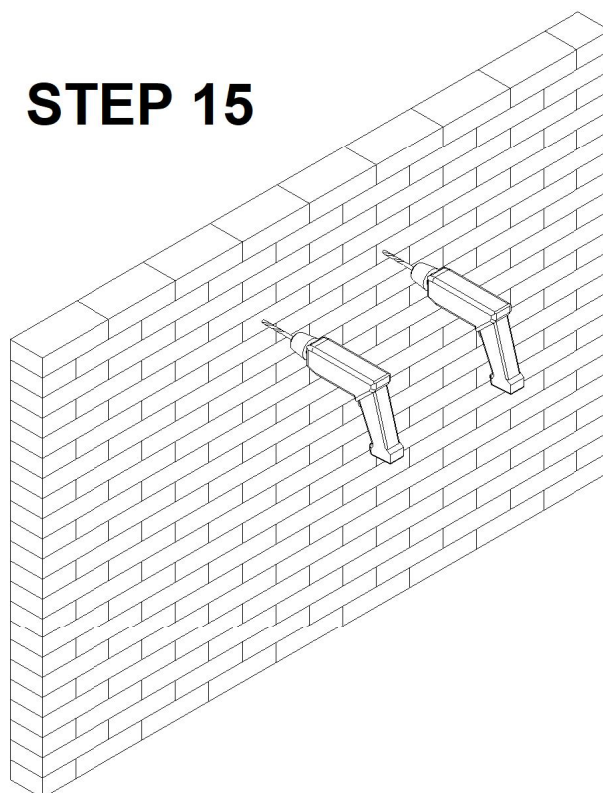
STEP 13

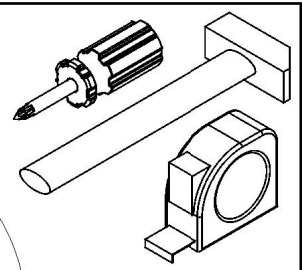
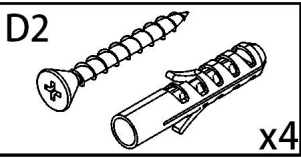
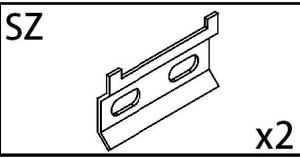
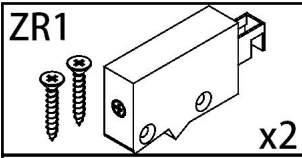


STEP 14

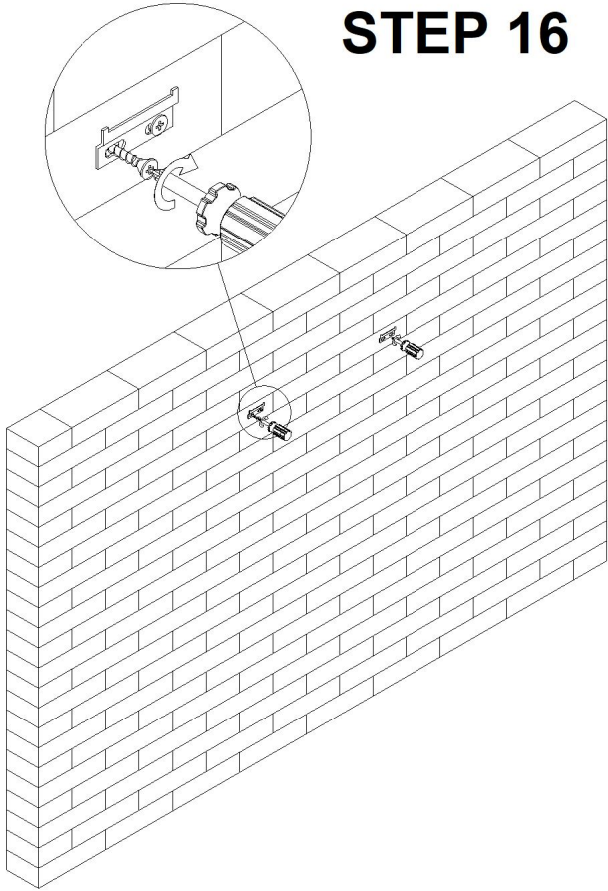


STEP 15

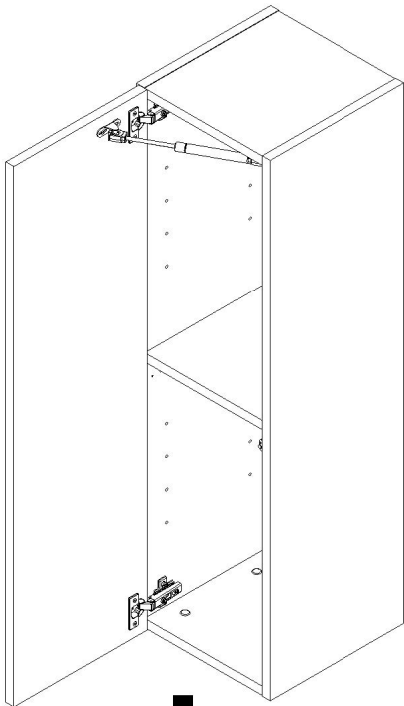
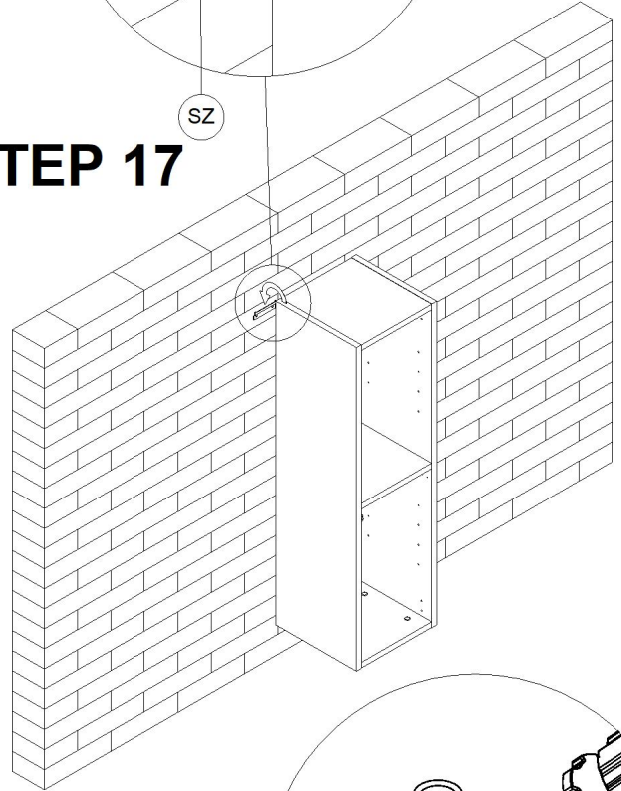




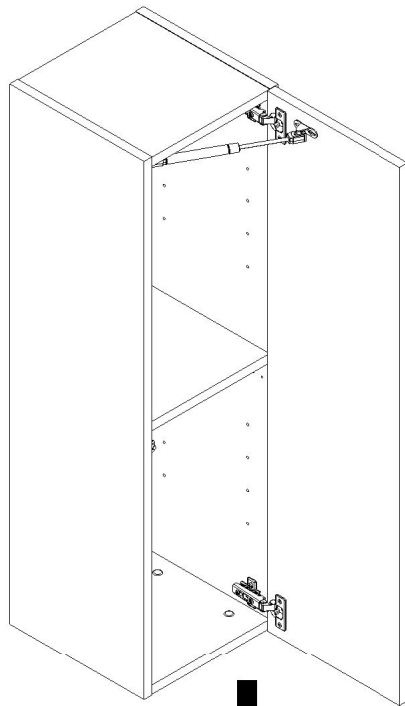
STEP 16



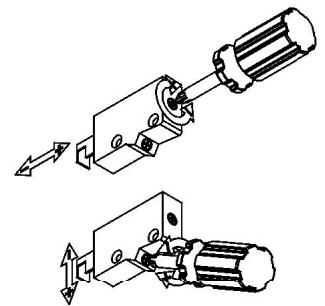
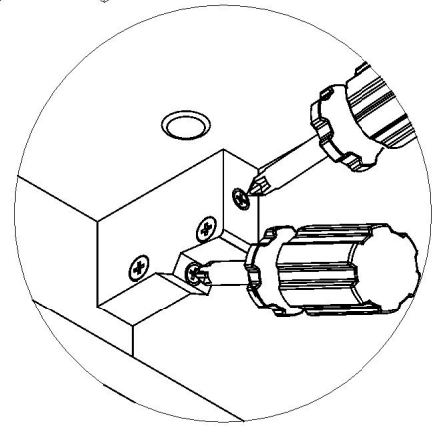
STEP 17

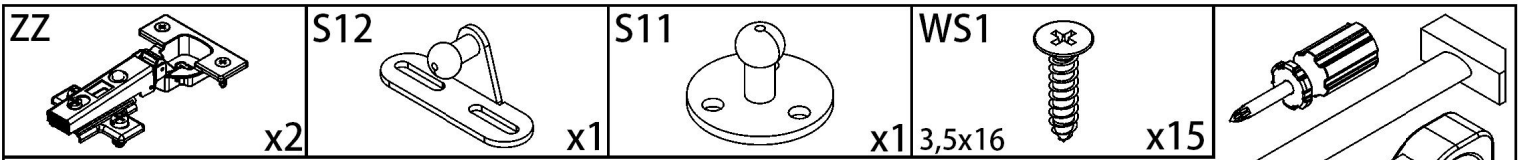


STEP 22

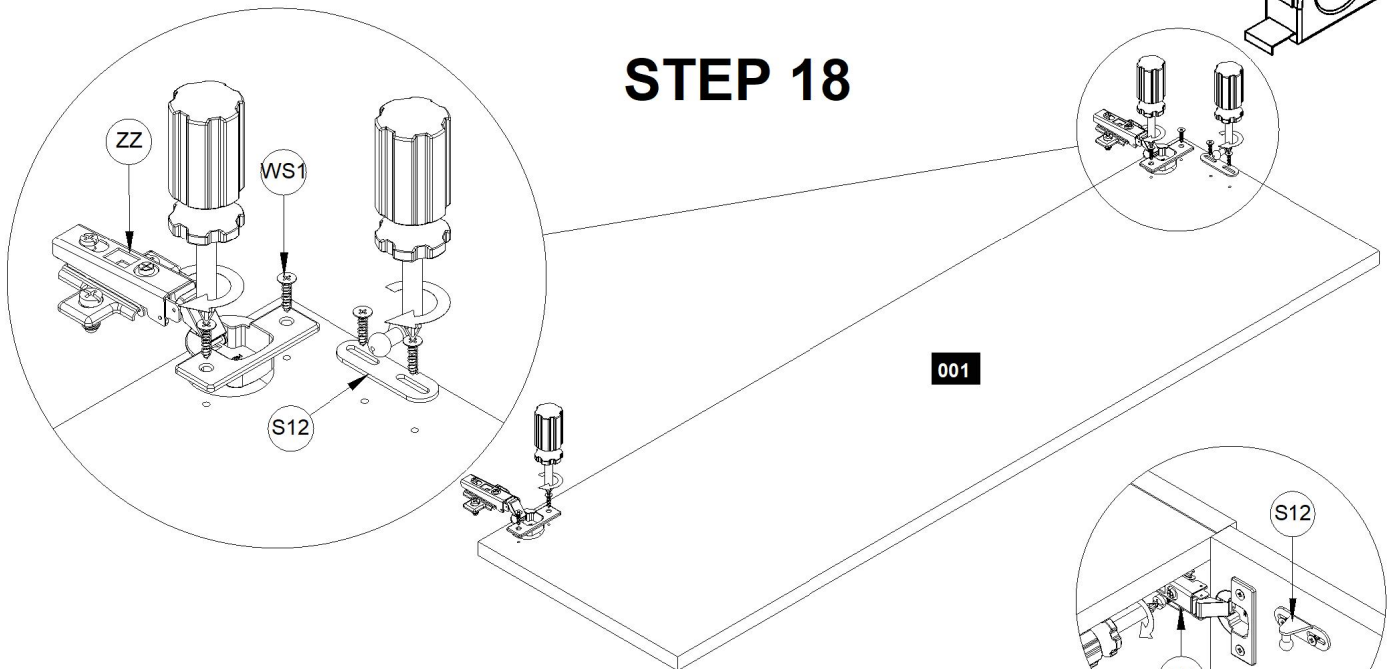


STEP 18

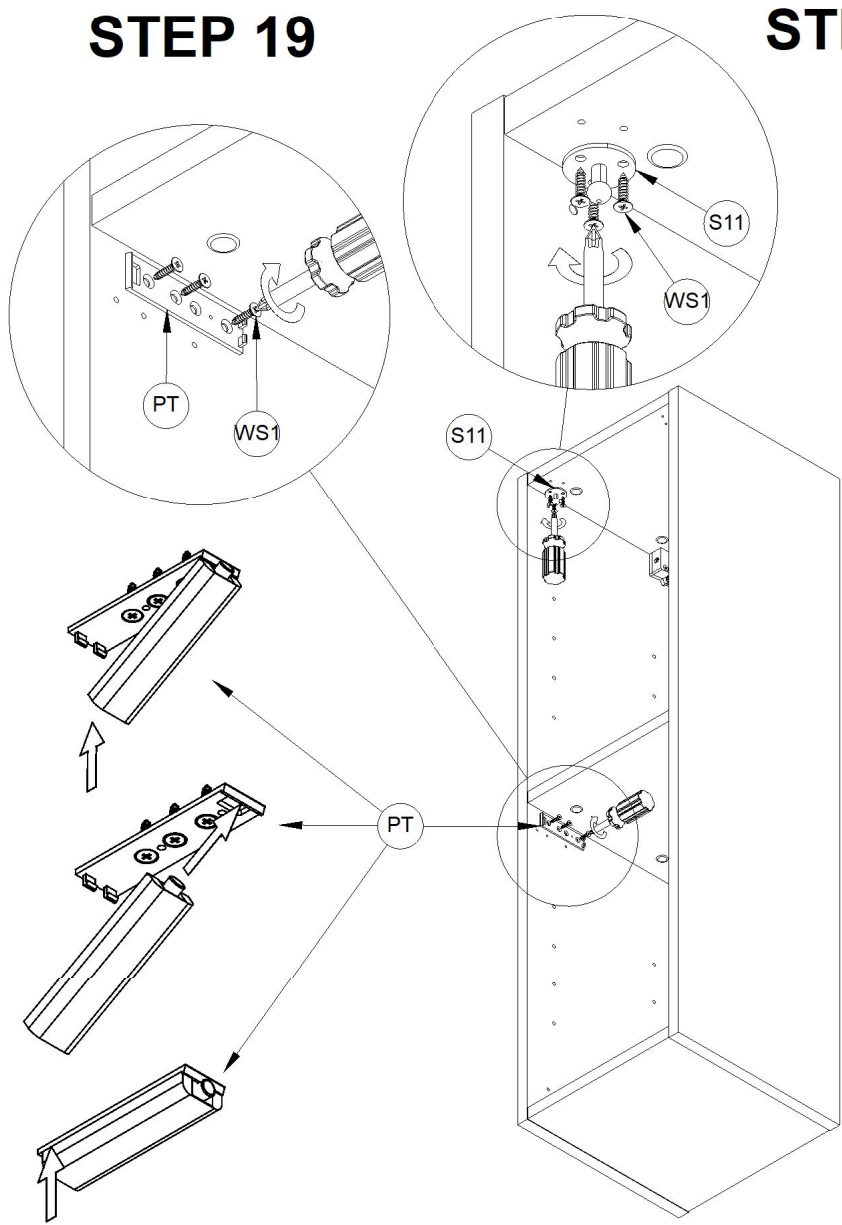




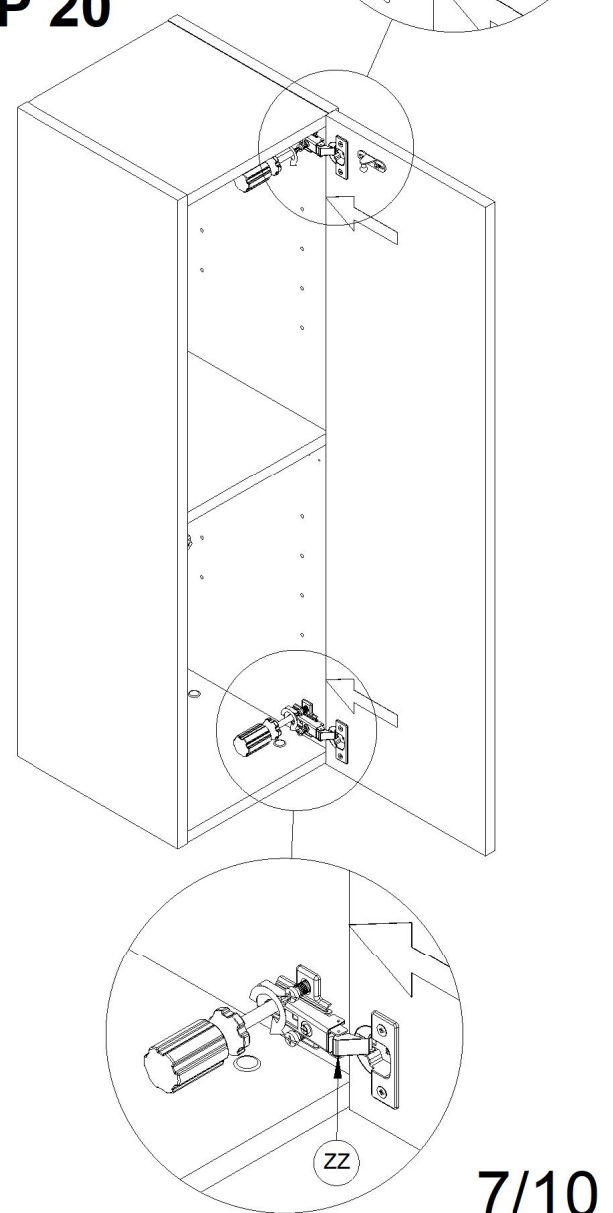
STEP 18

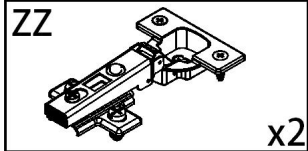
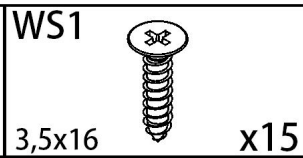
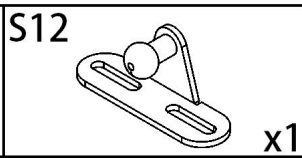
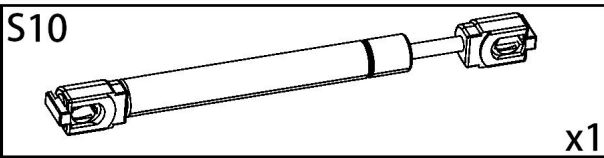
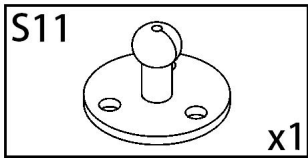


STEP 19

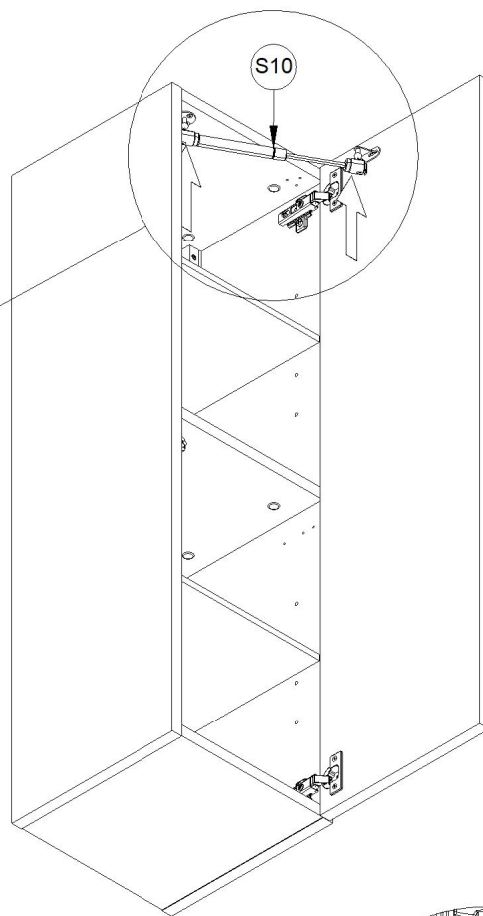
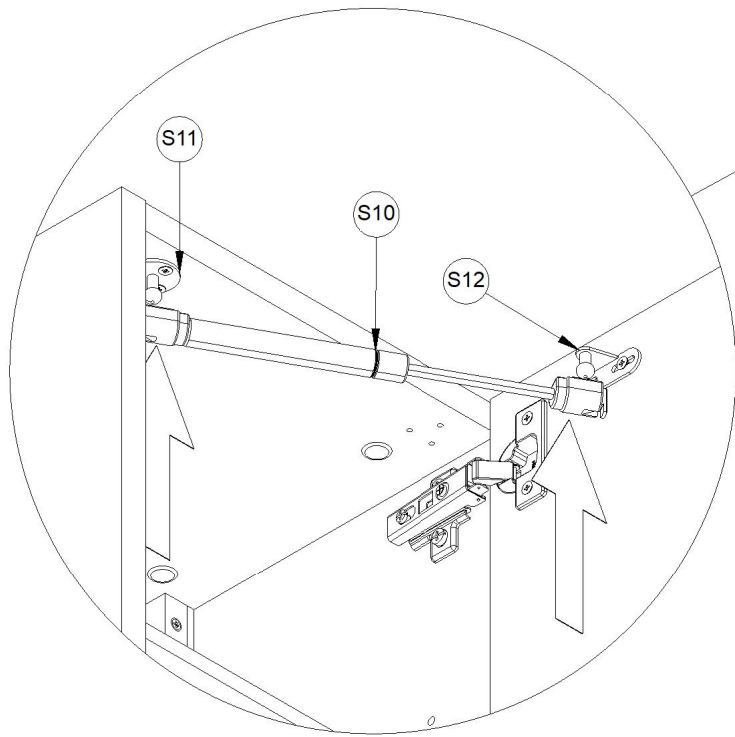


STEP 20



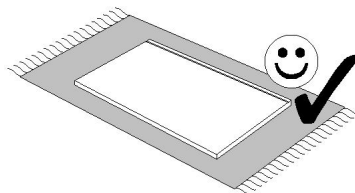
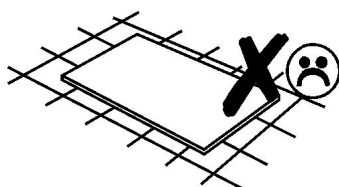
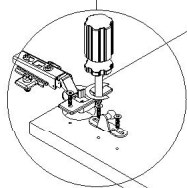
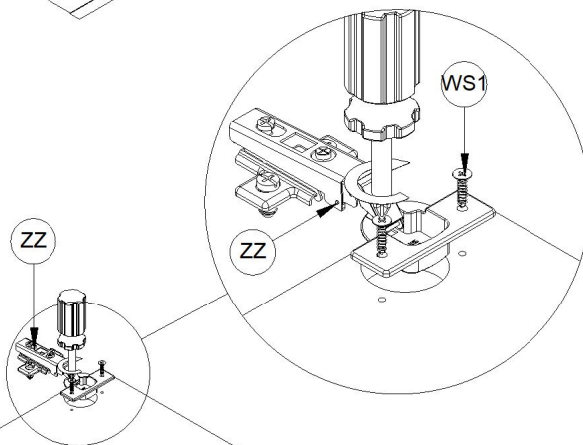
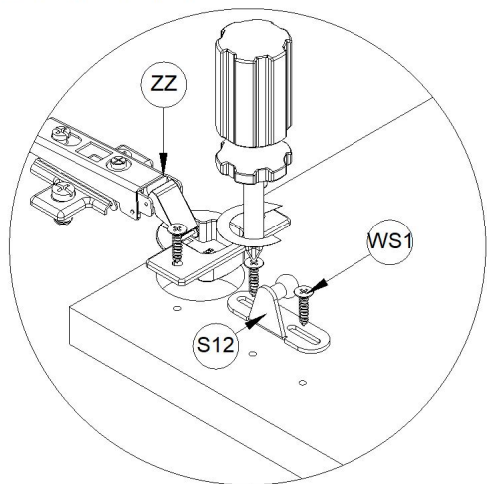


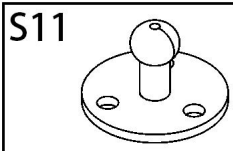
STEP 21



STEP 26

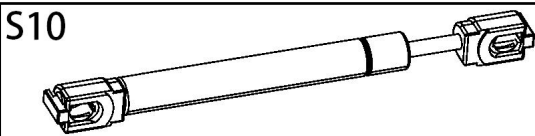
STEP 22





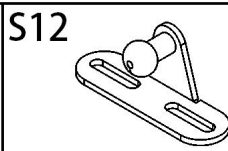
S11

x1



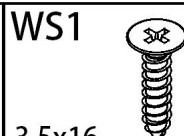
S10

x1



S12

x1

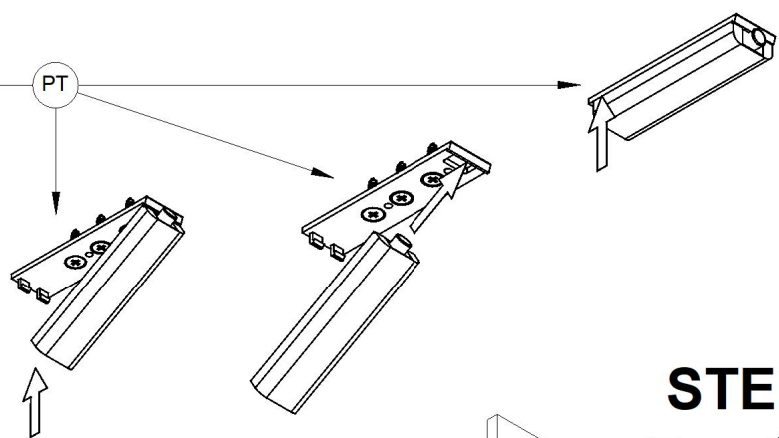
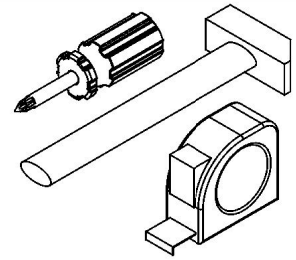
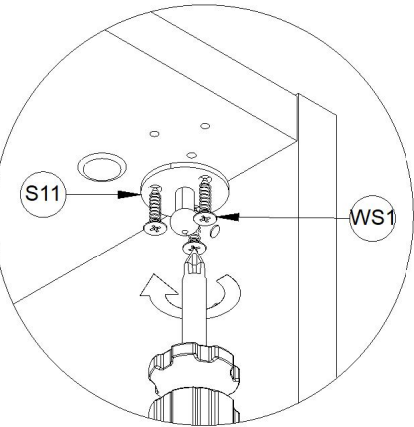
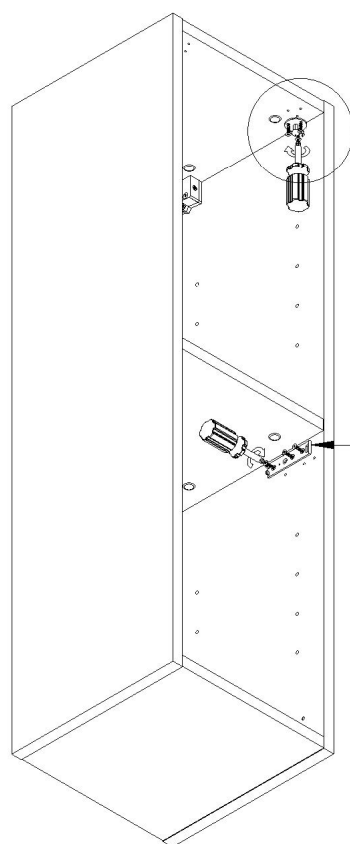


WS1

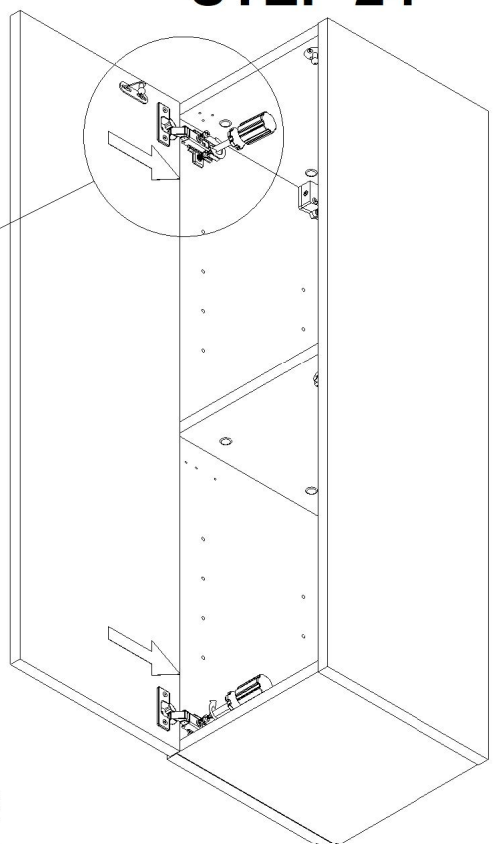
3,5x16

x15

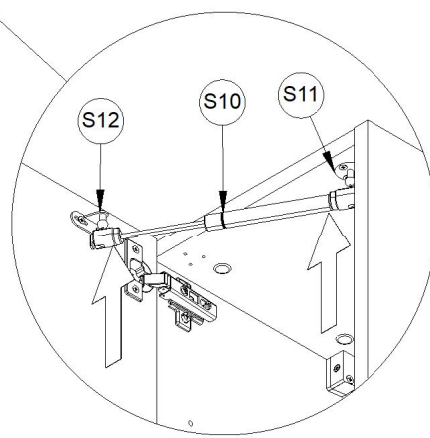
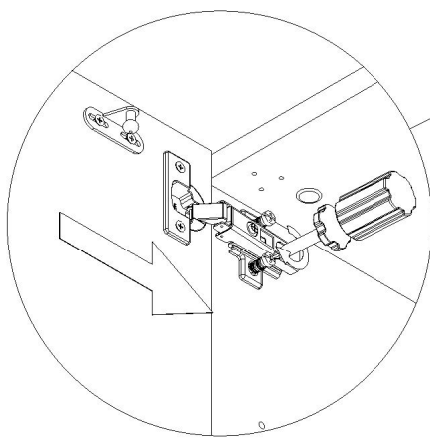
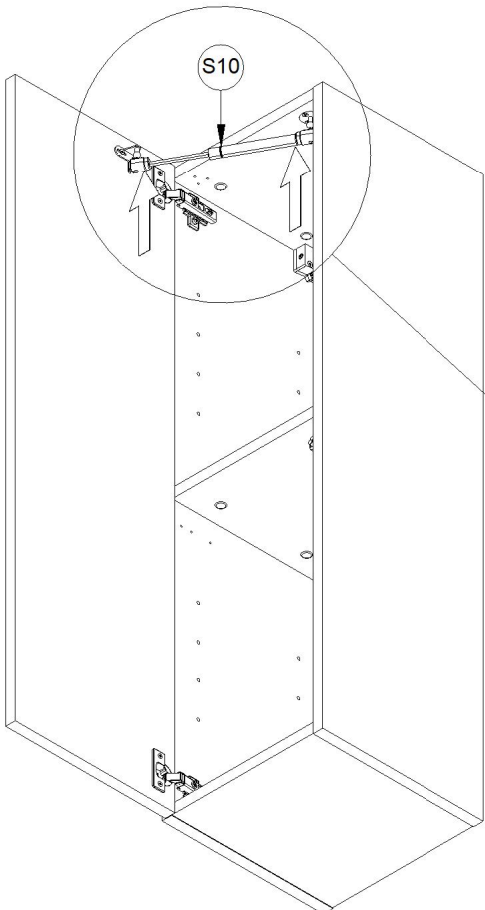
STEP 23

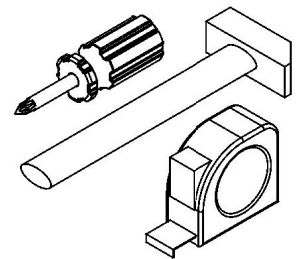
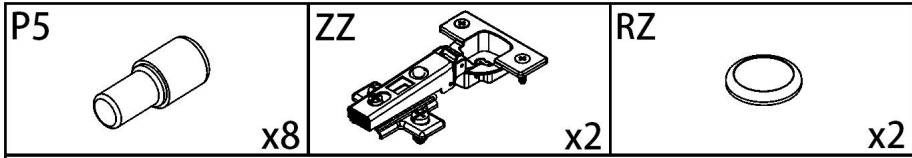


STEP 24

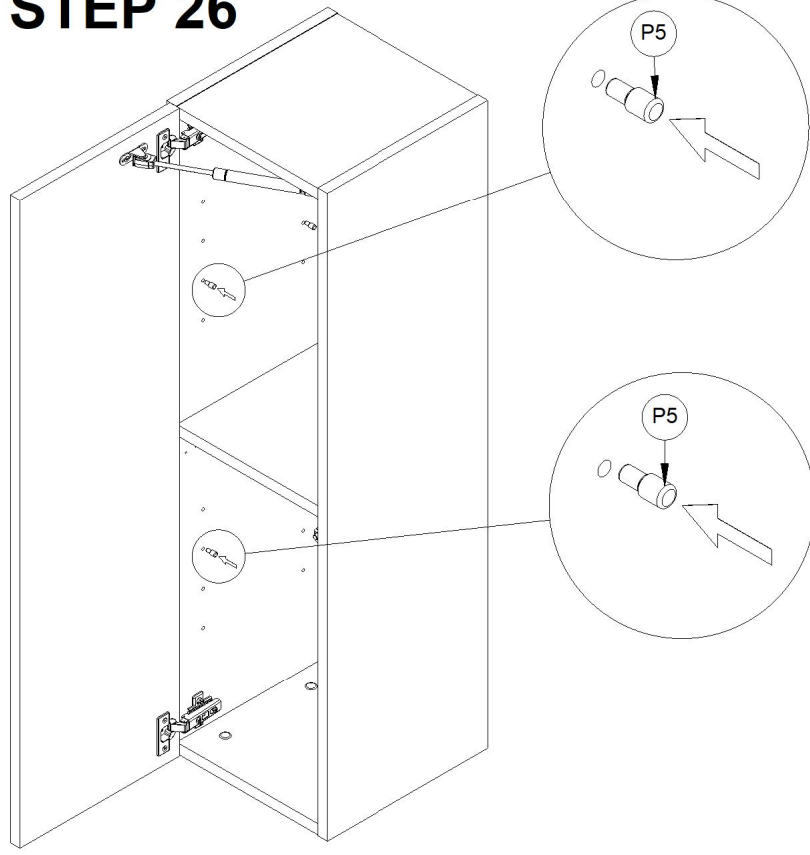


STEP 25

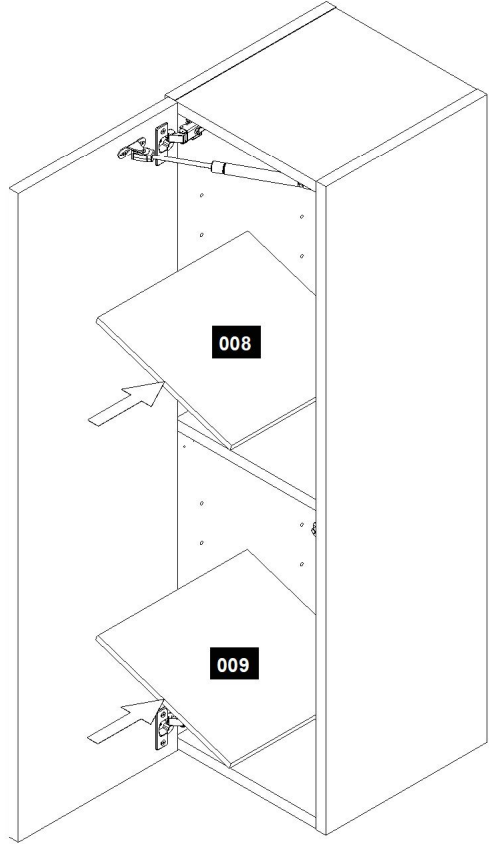




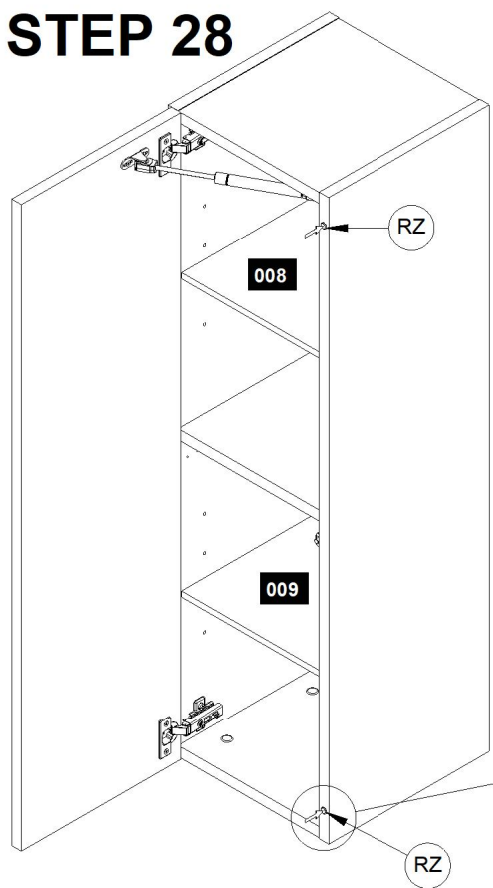
STEP 26



STEP 27



STEP 28



STEP 29

