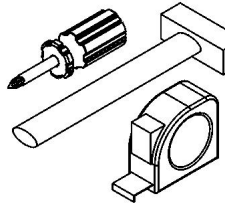
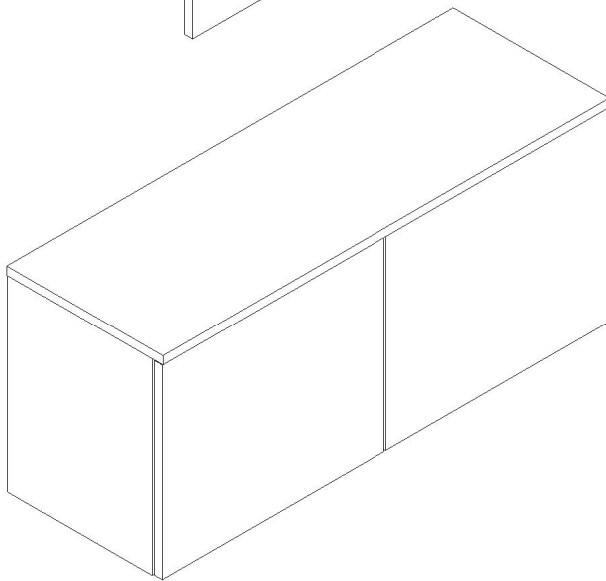
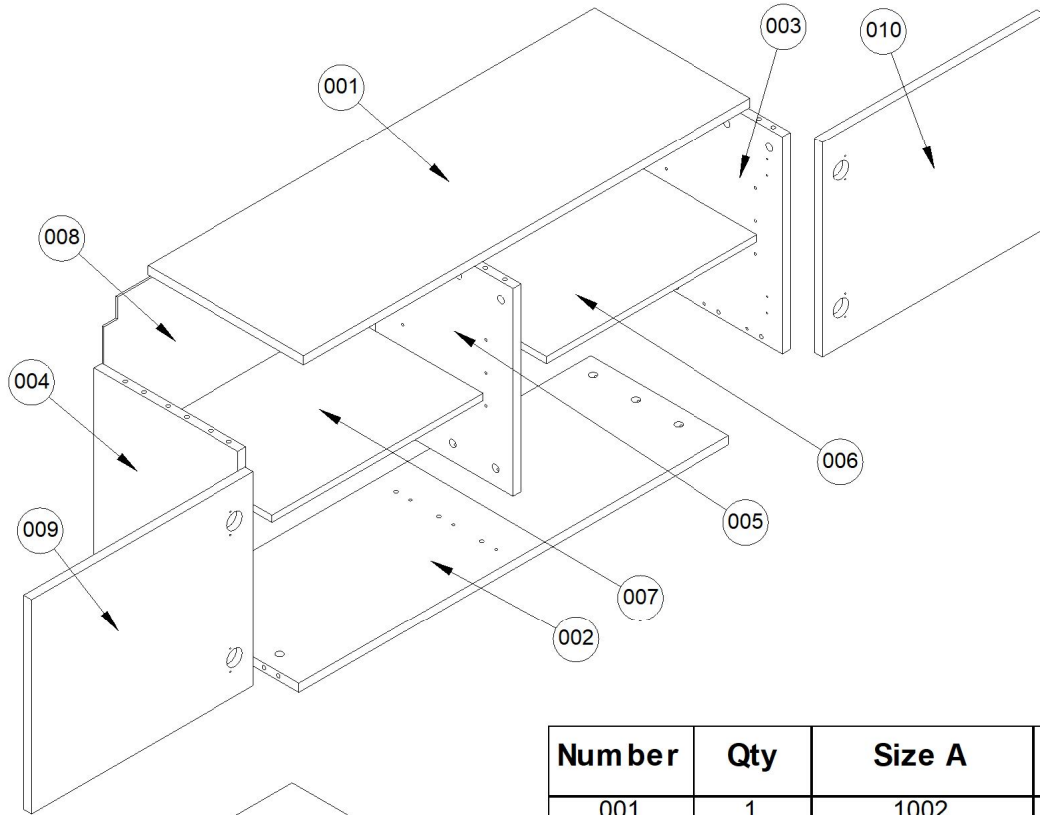


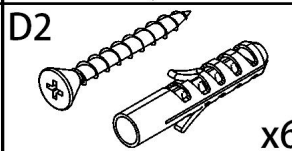
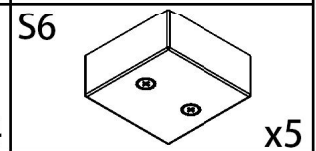
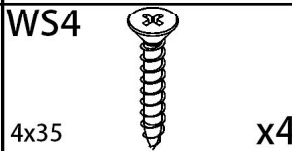
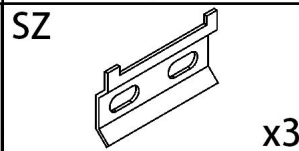
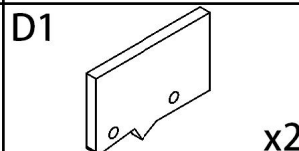
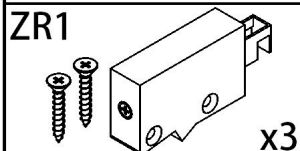
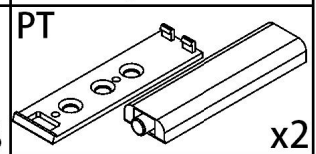
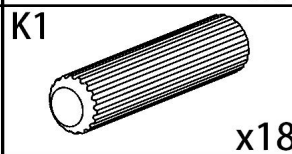
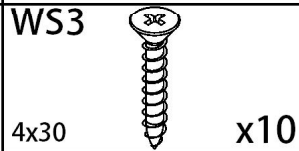
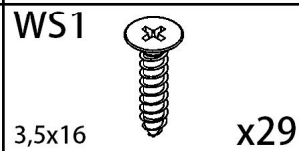
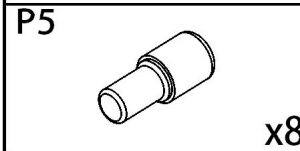
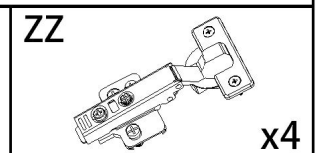
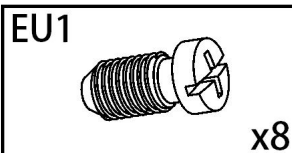
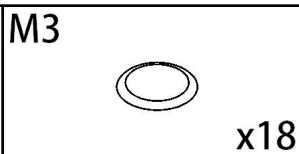
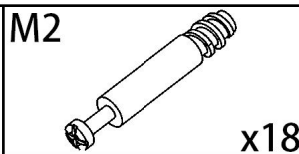
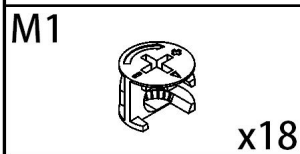
- 60 min.

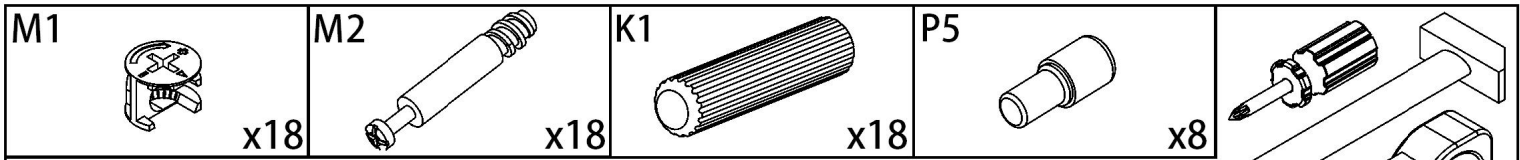


LUNA 90

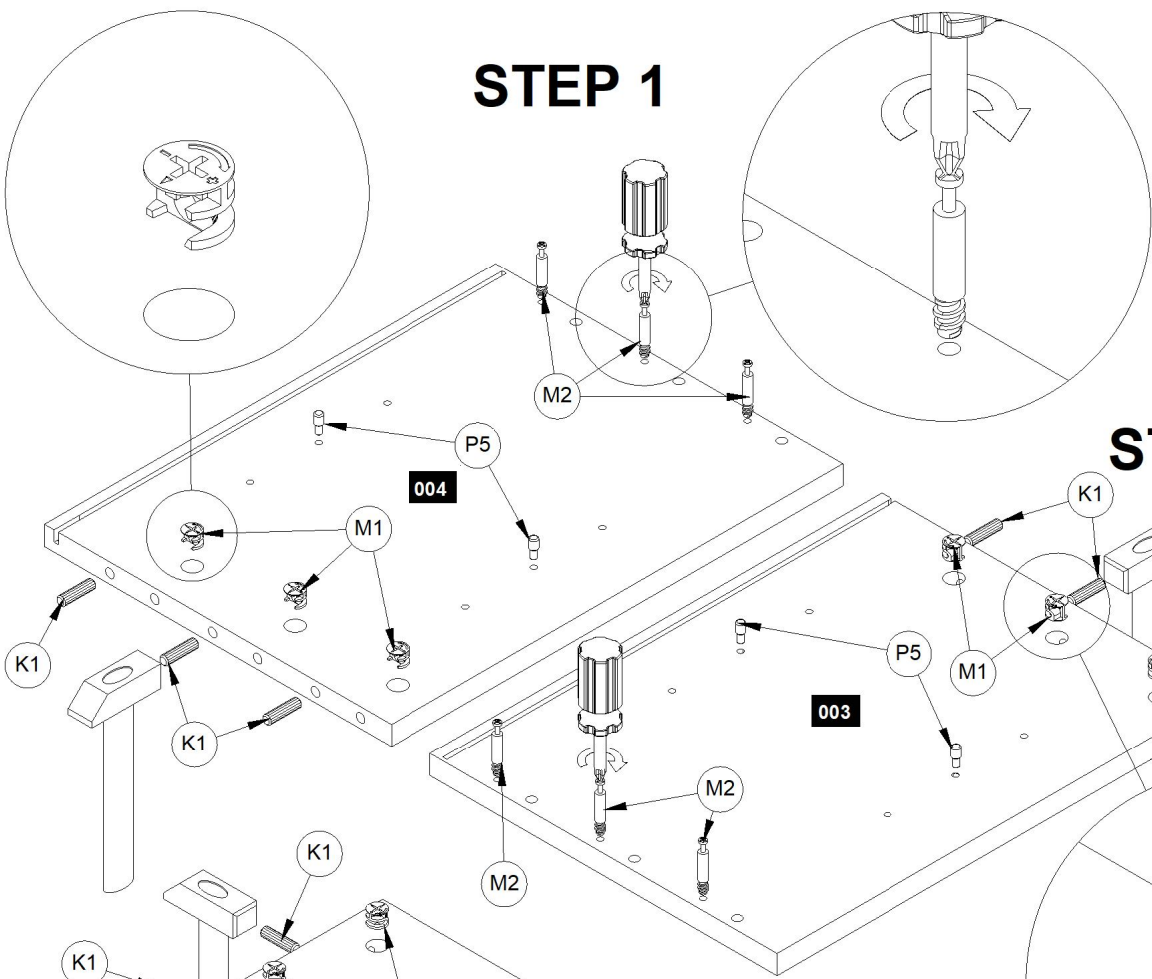


Number	Qty	Size A	Size B
001	1	1002	350
002	1	964	310
003	1	422	324
004	1	422	324
005	1	403	309
006	1	473	308
007	1	473	308
008	1	430	980
009	1	417	498
010	1	417	498

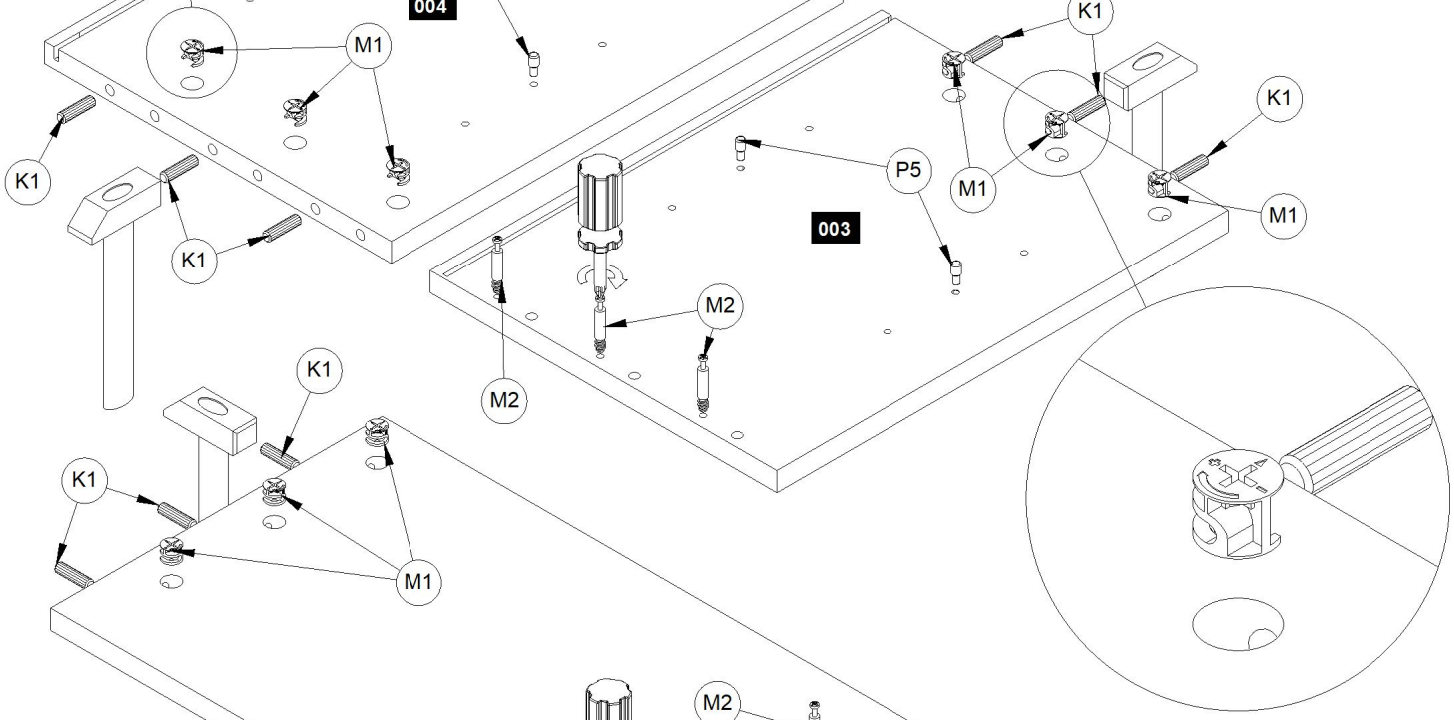




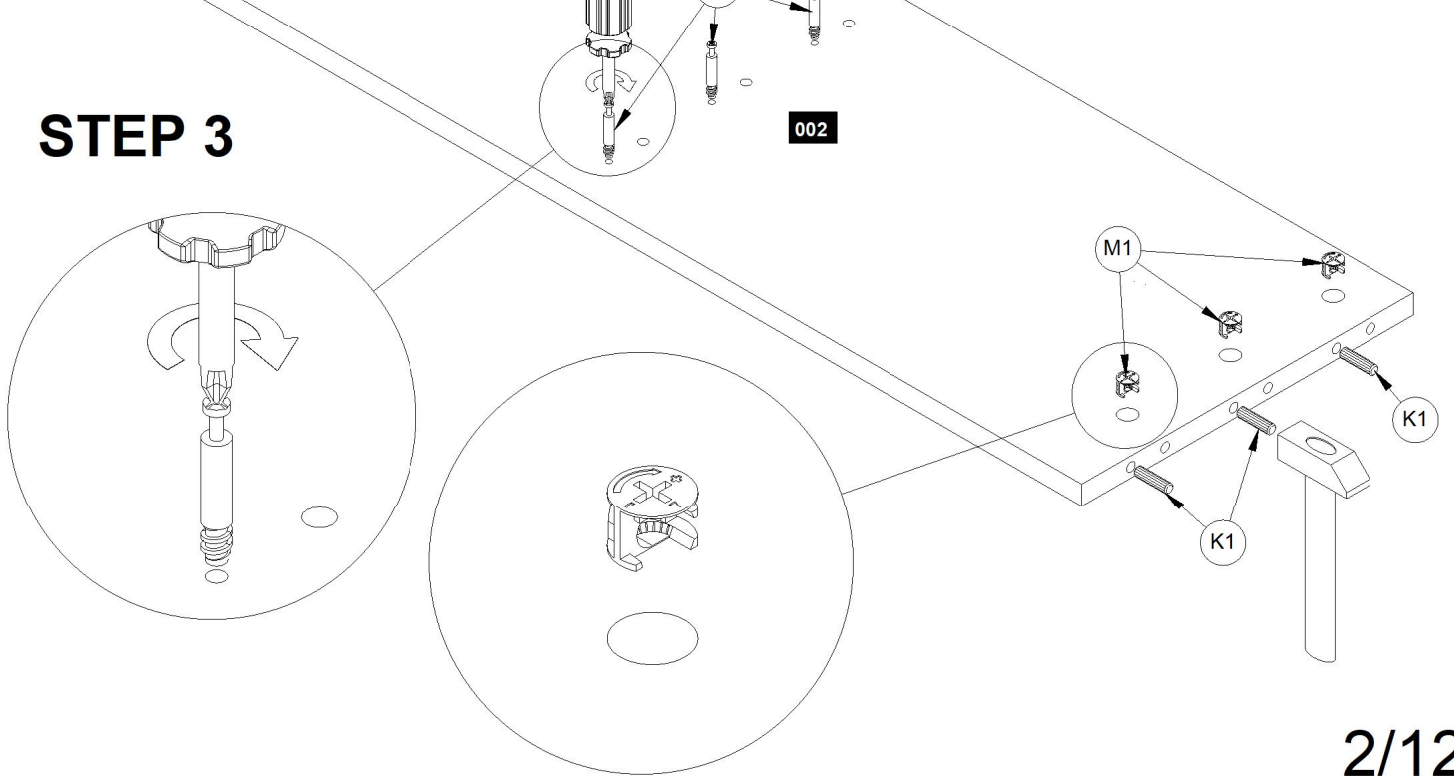
STEP 1



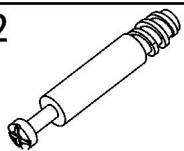
STEP 2



STEP 3



M2



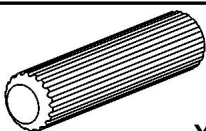
x18

M1

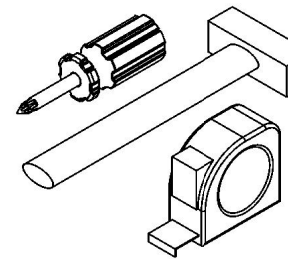


x18

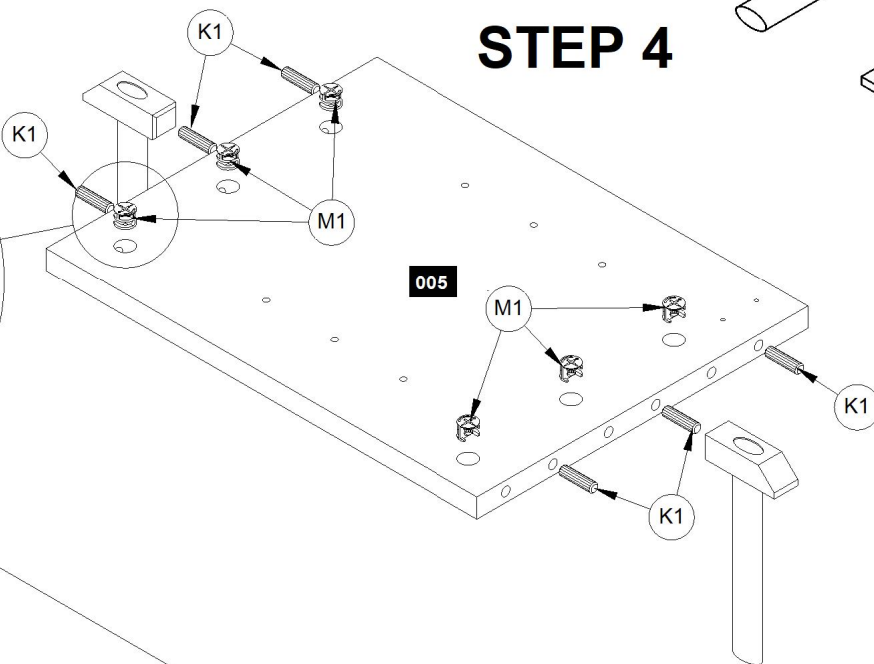
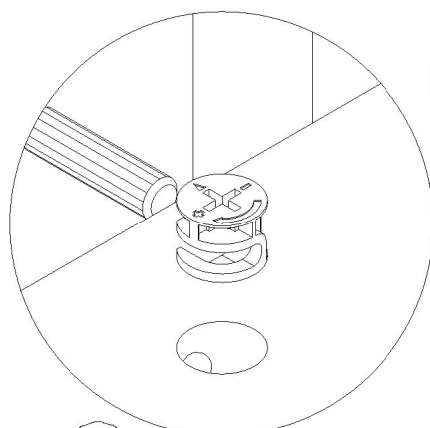
K1



x18

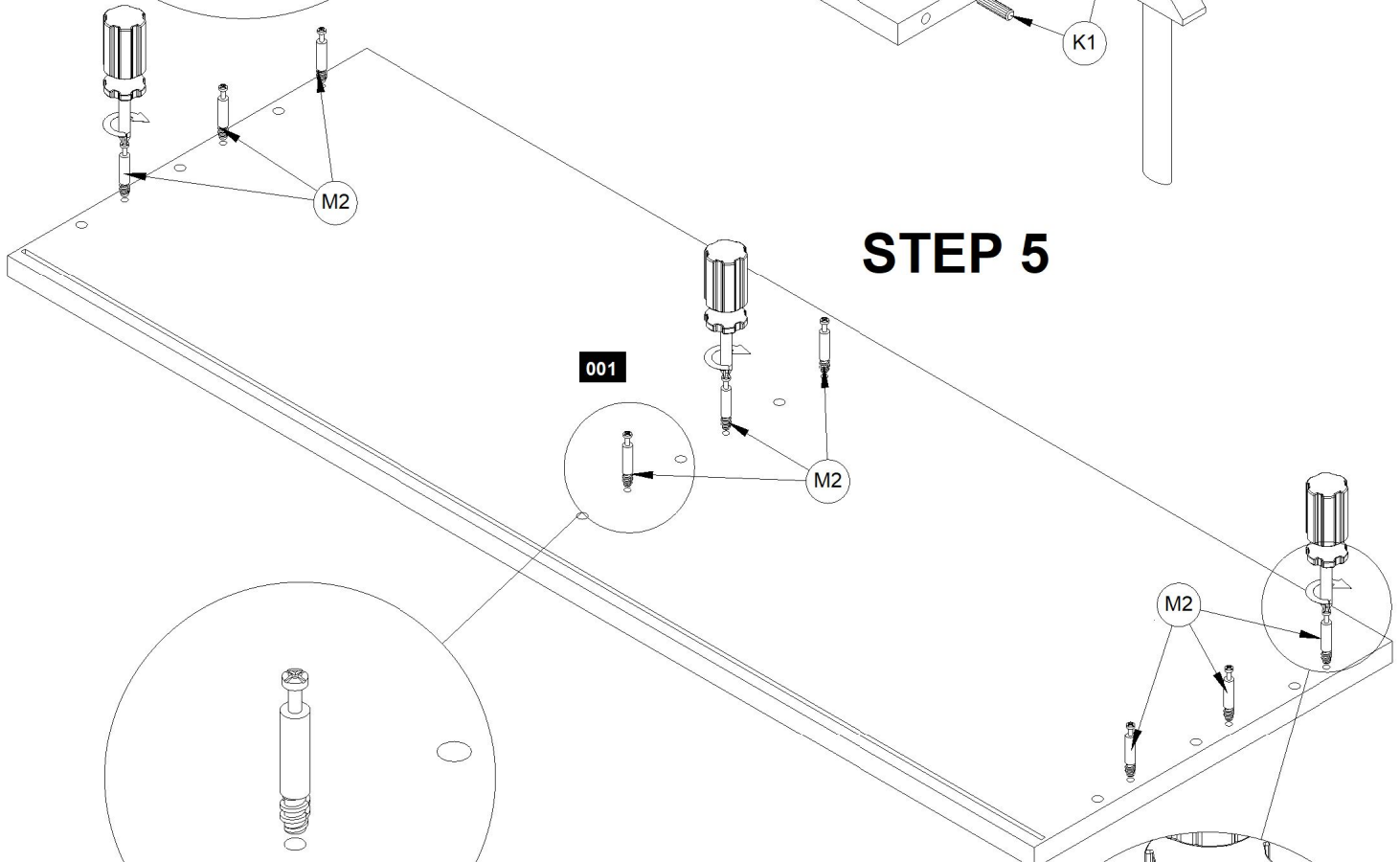


STEP 4

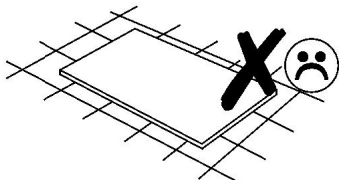
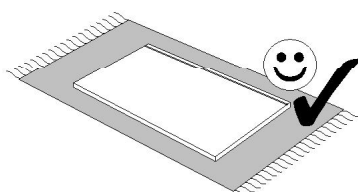
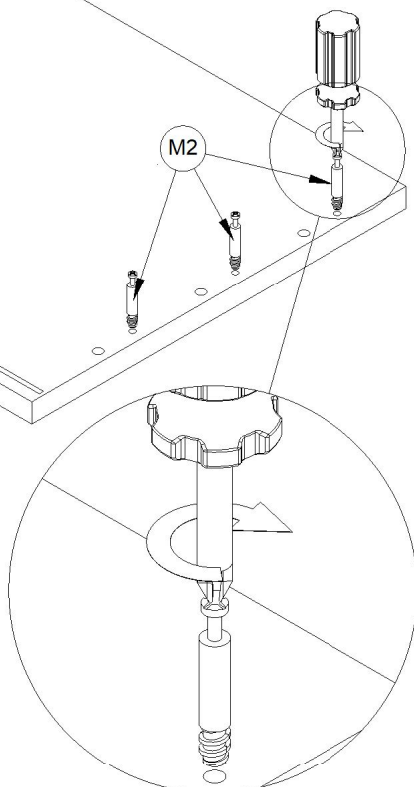
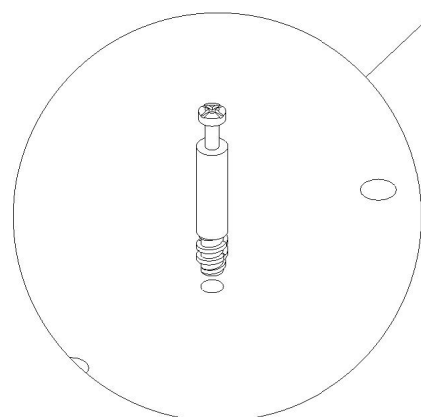


005

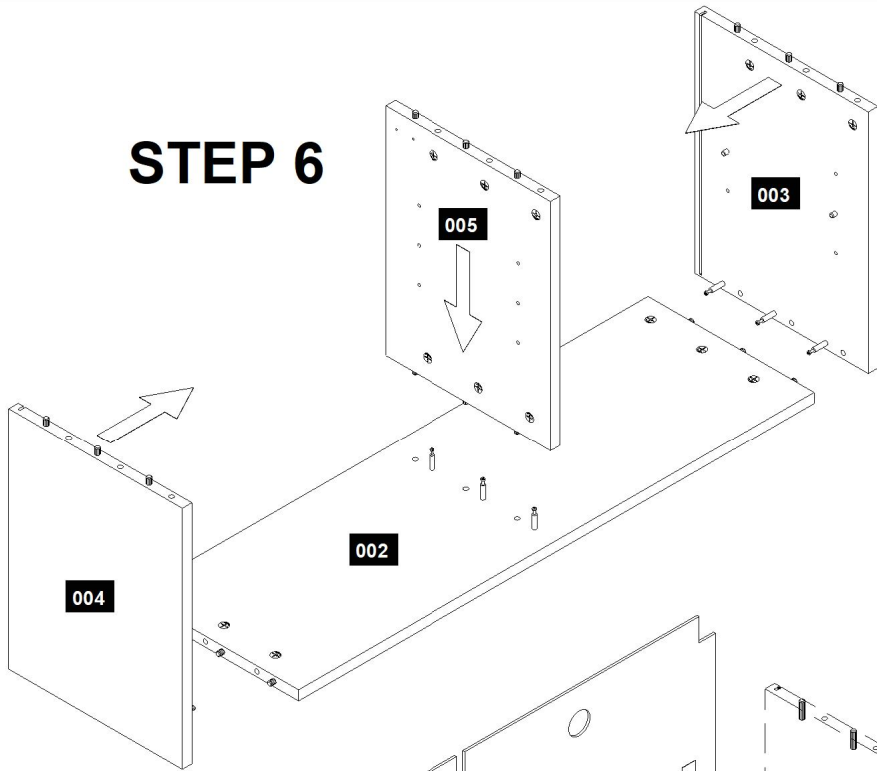
STEP 5



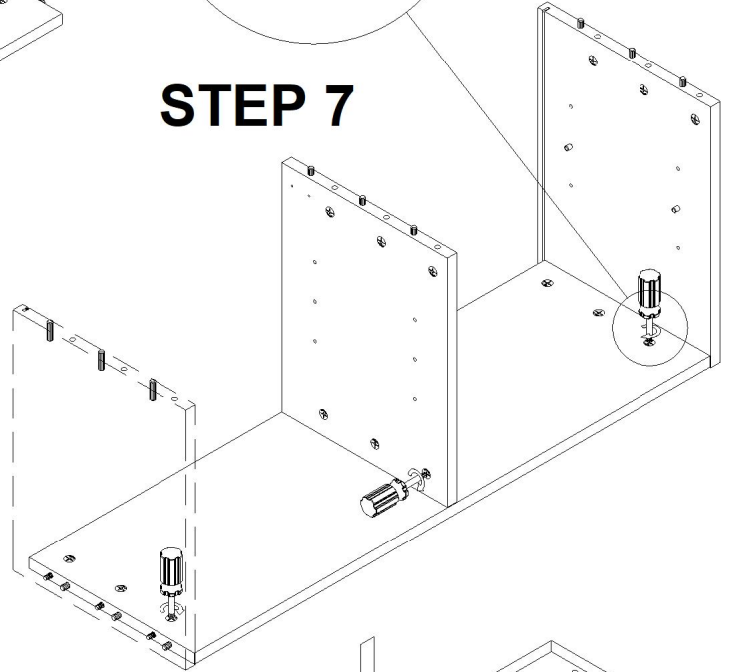
001



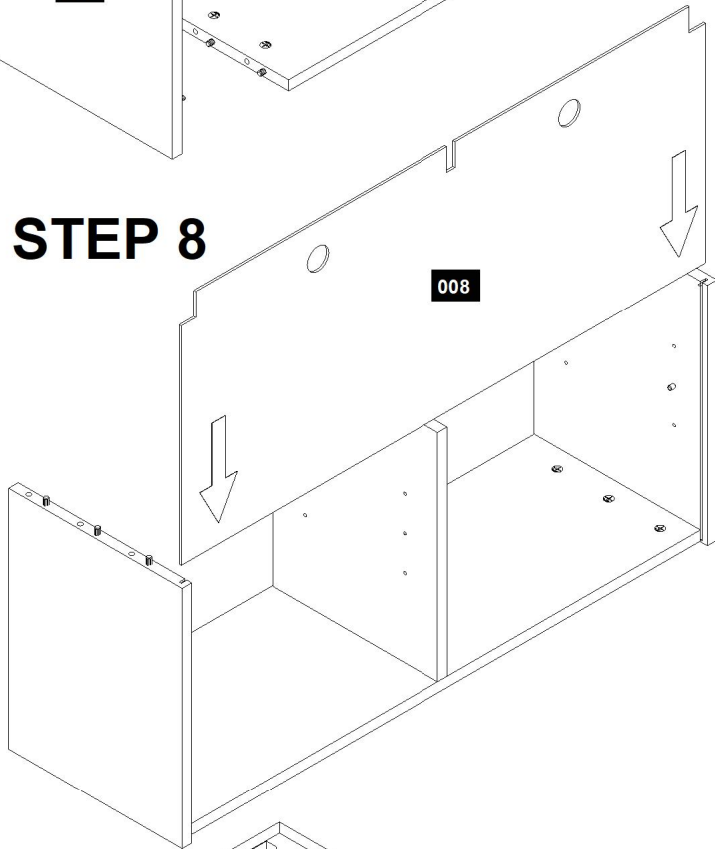
STEP 6



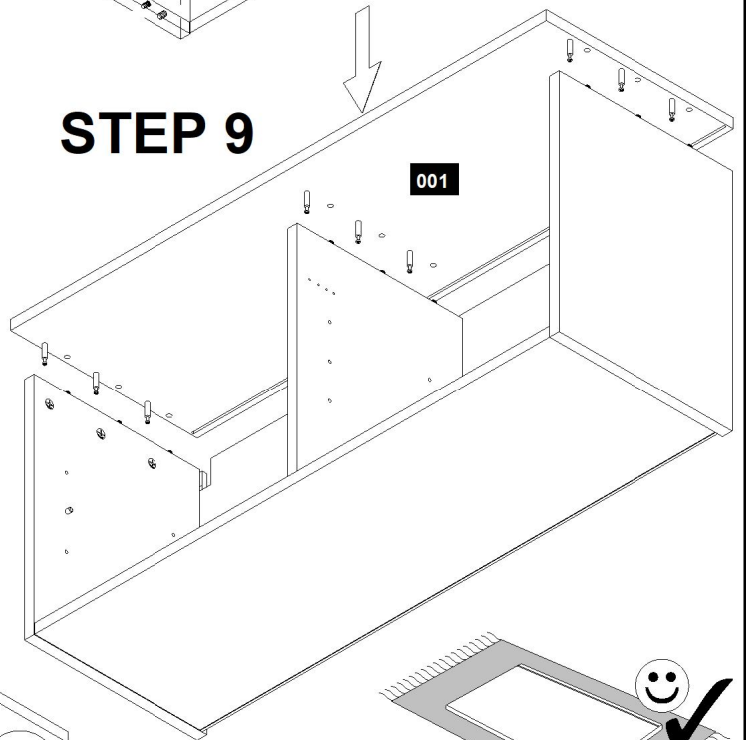
STEP 7



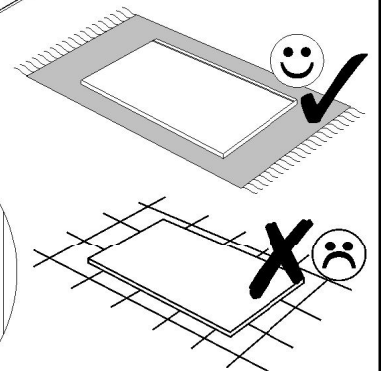
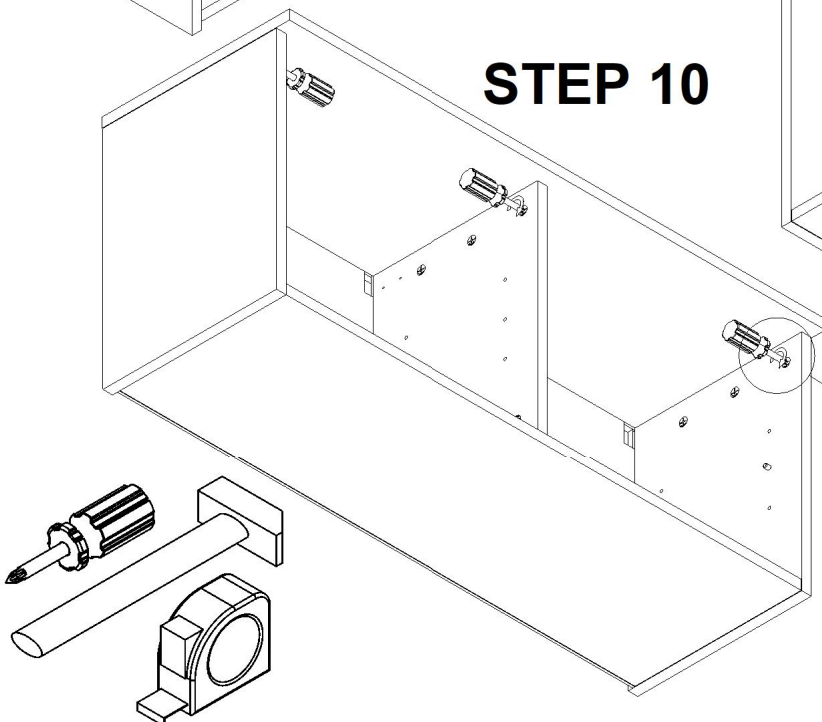
STEP 8



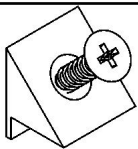
STEP 9



STEP 10



ST1



x8

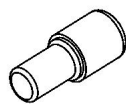
WS1



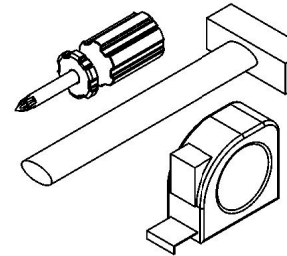
3,5x16

x29

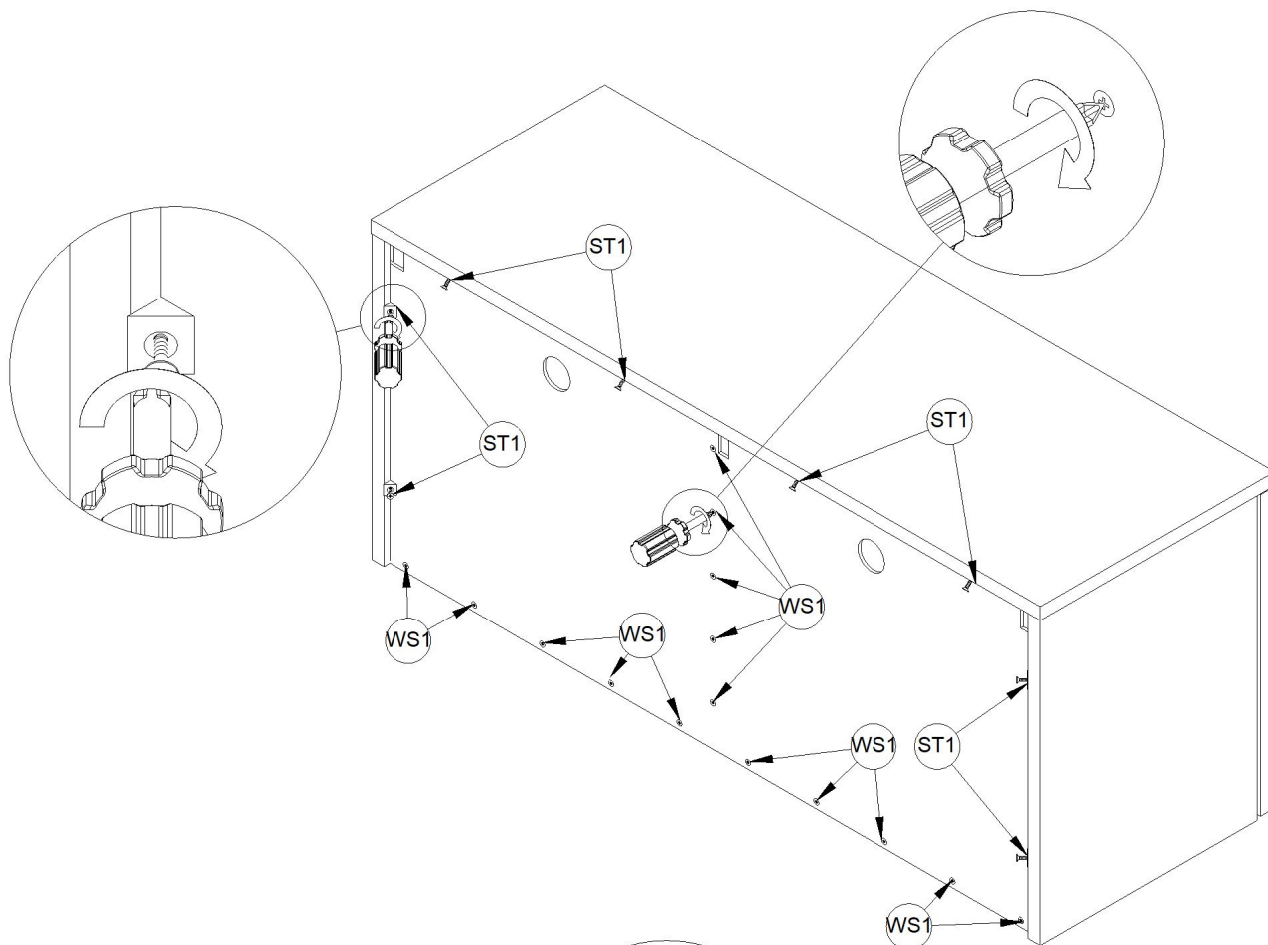
P5



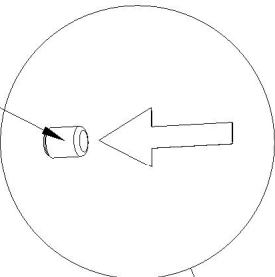
x8



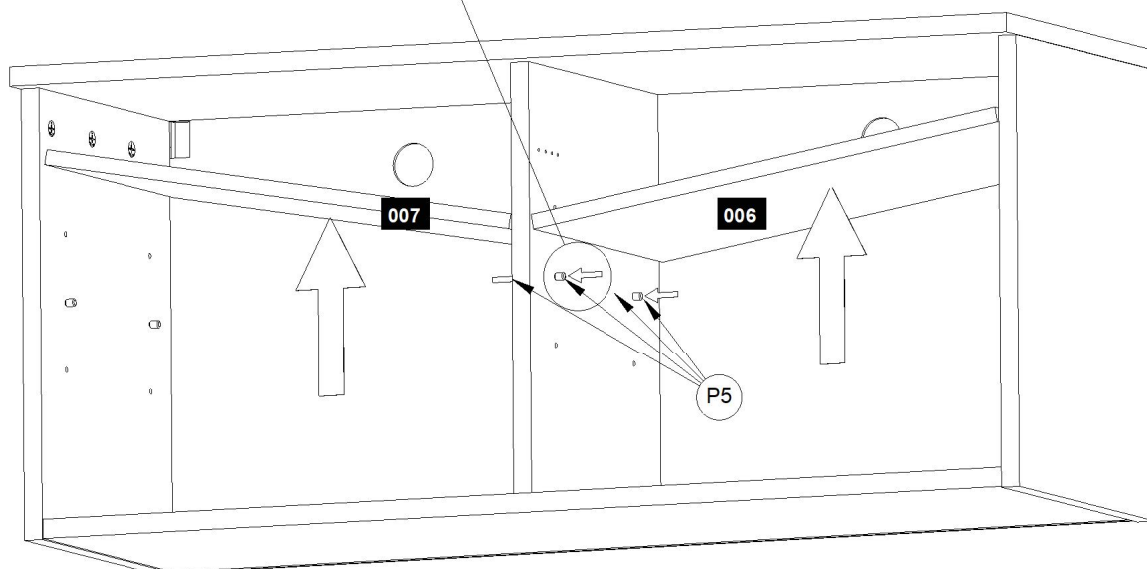
STEP 11

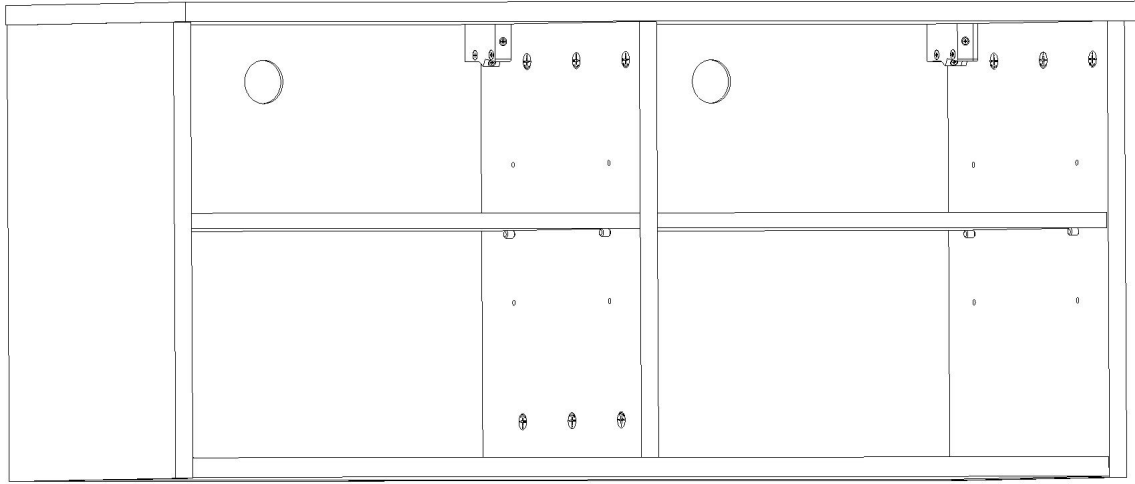


P5

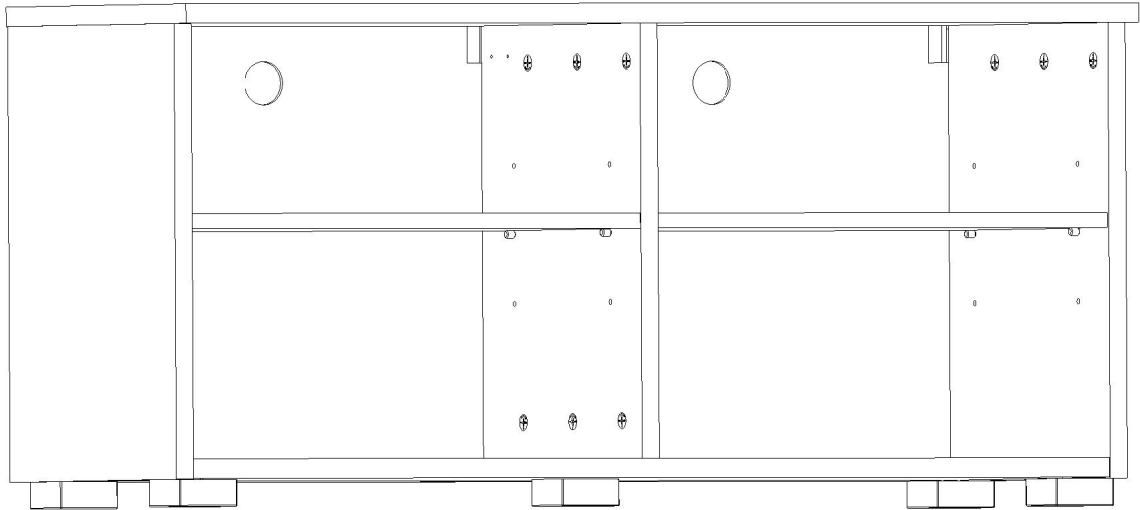
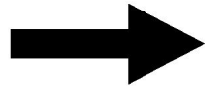


STEP 12

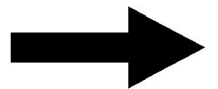


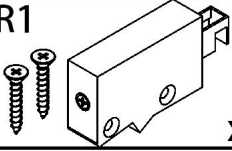
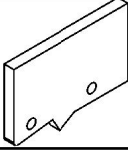
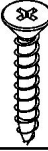



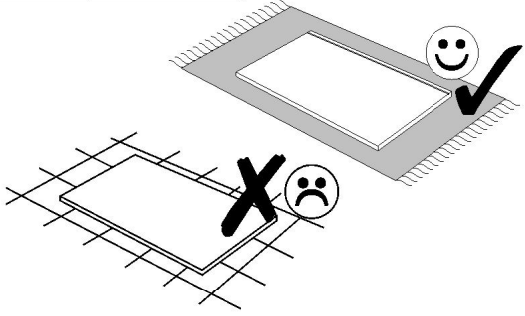
STEP 13



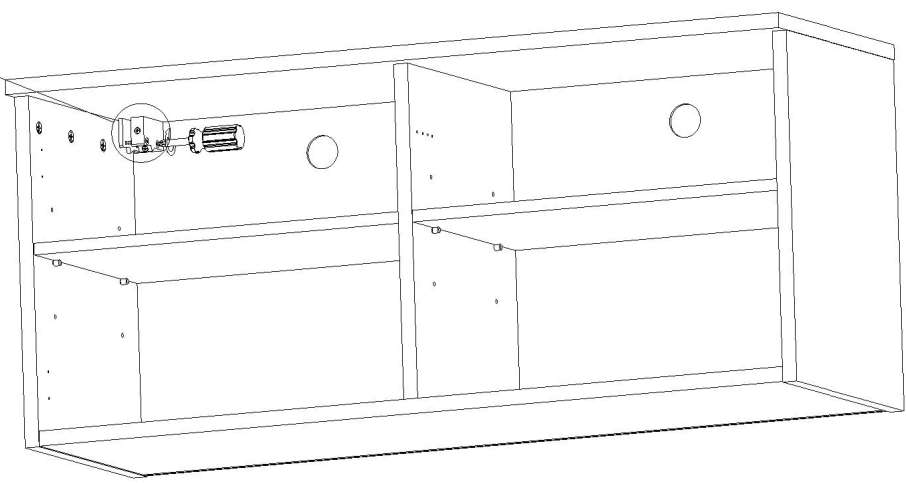
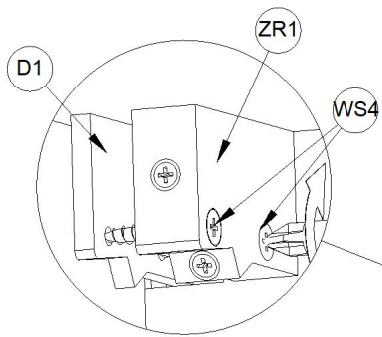
STEP 16



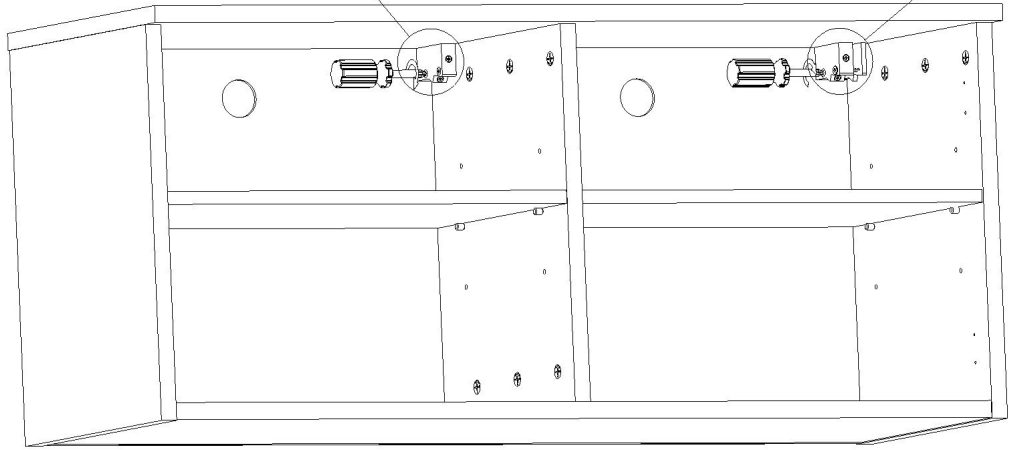
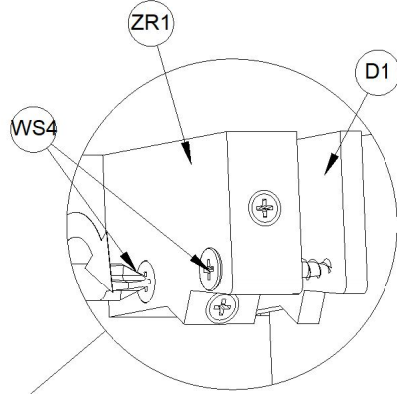
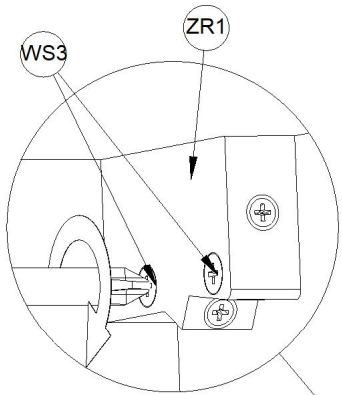
ZR1  x3	D1  x2	WS4  4x35 x4	WS3  4x30 x10
--	--	---	--



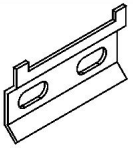
STEP 13



STEP 14

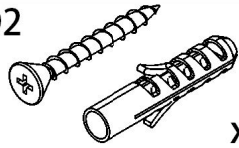


SZ

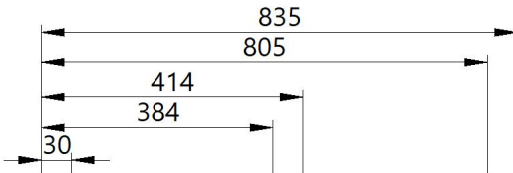
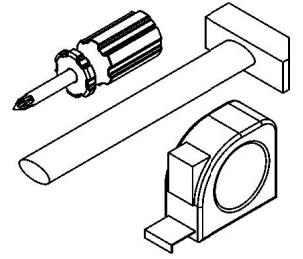


x3

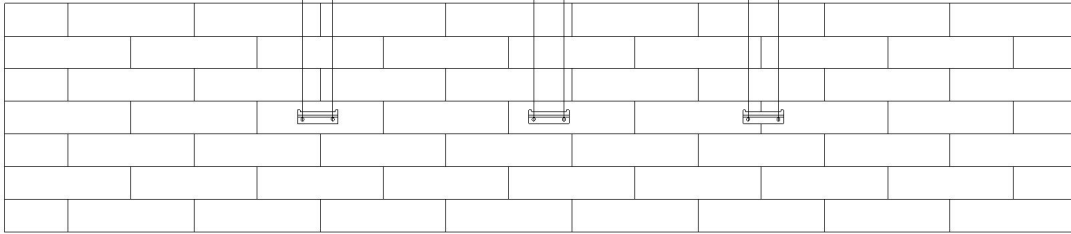
D2



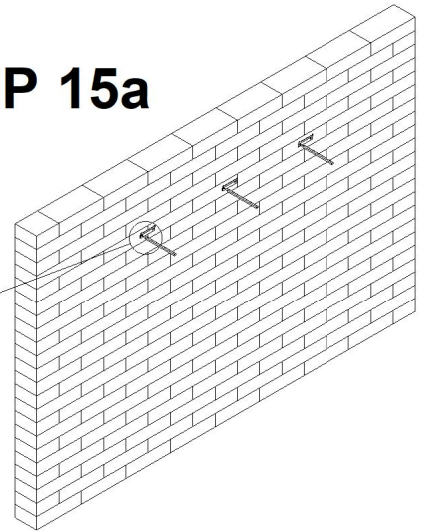
x6



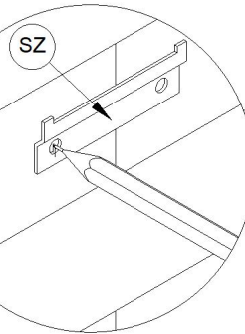
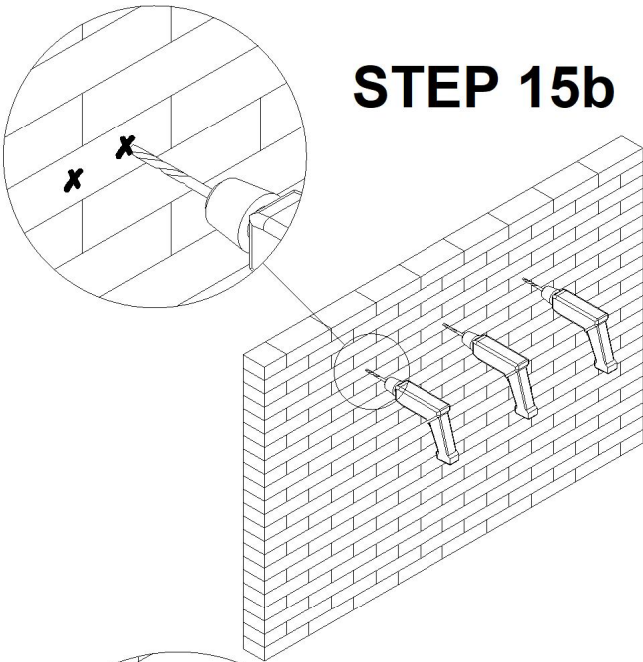
STEP 15



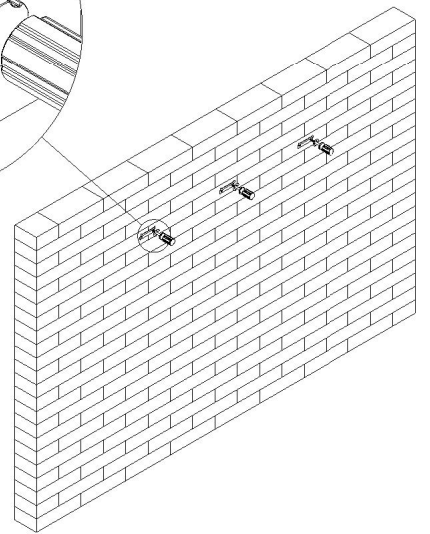
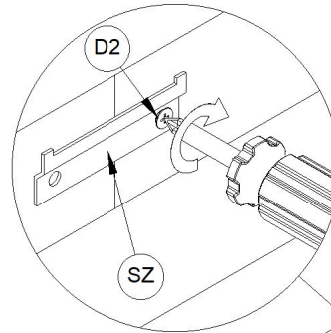
STEP 15a



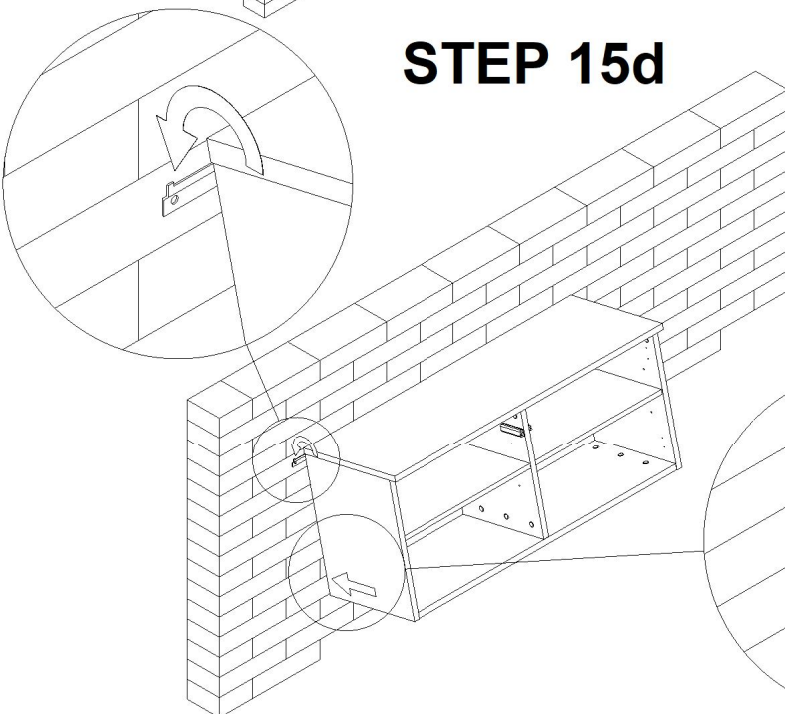
STEP 15b



STEP 15c



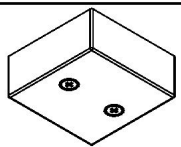
STEP 15d



STEP 17



S6



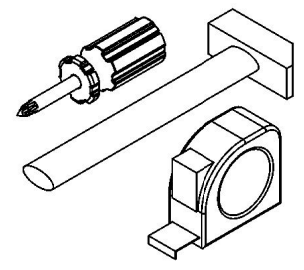
x5

WS3

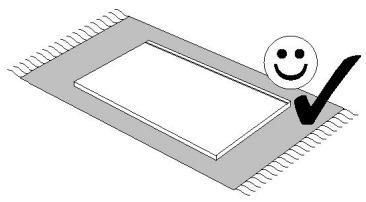
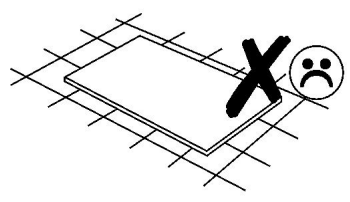
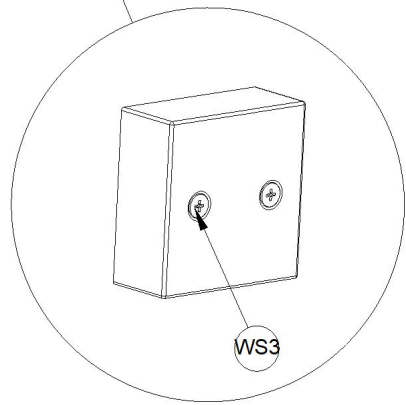
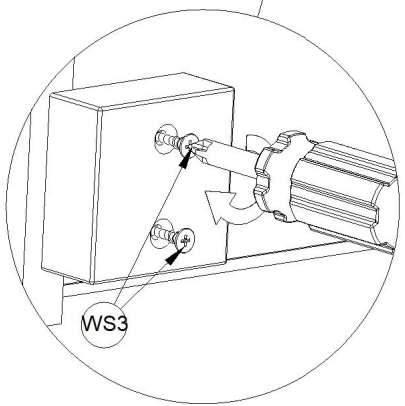
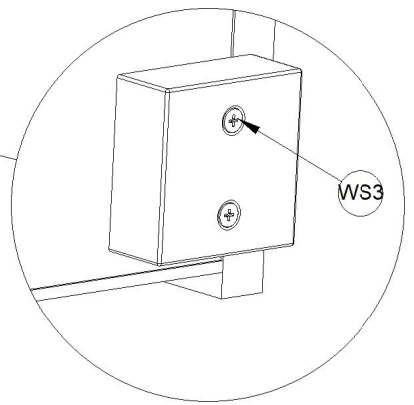
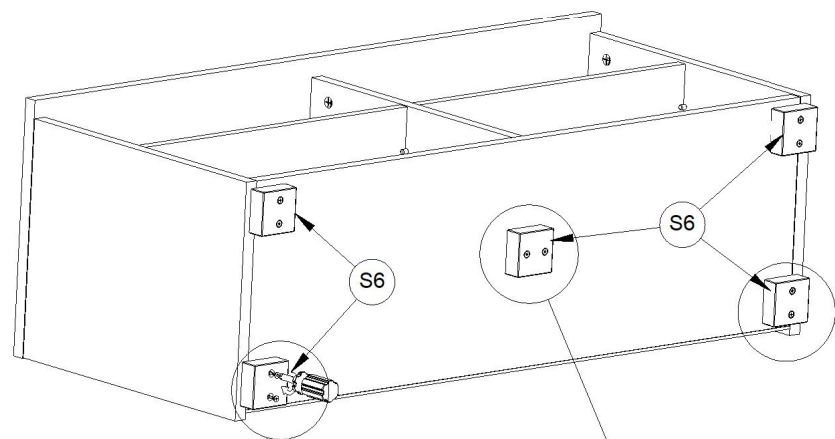
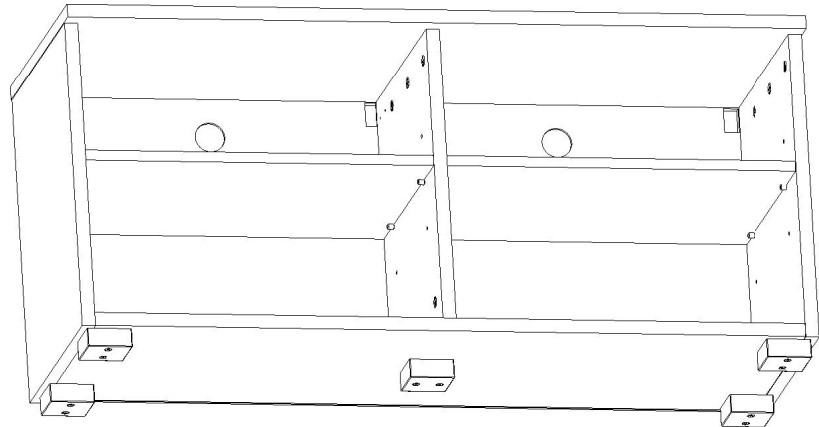
4x30



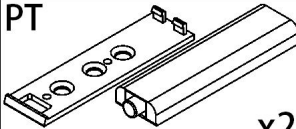
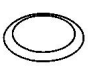

x10



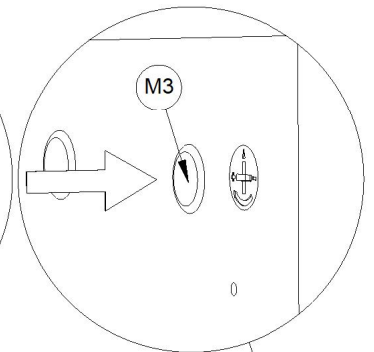
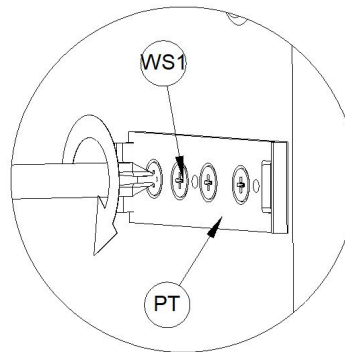
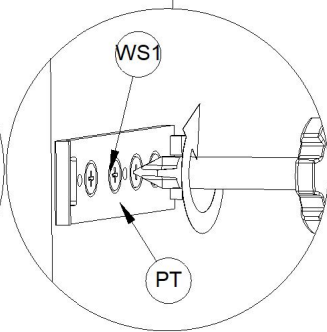
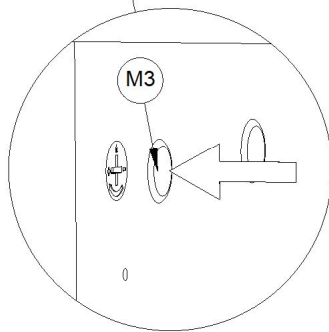
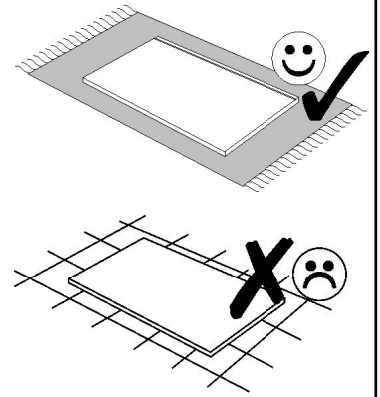
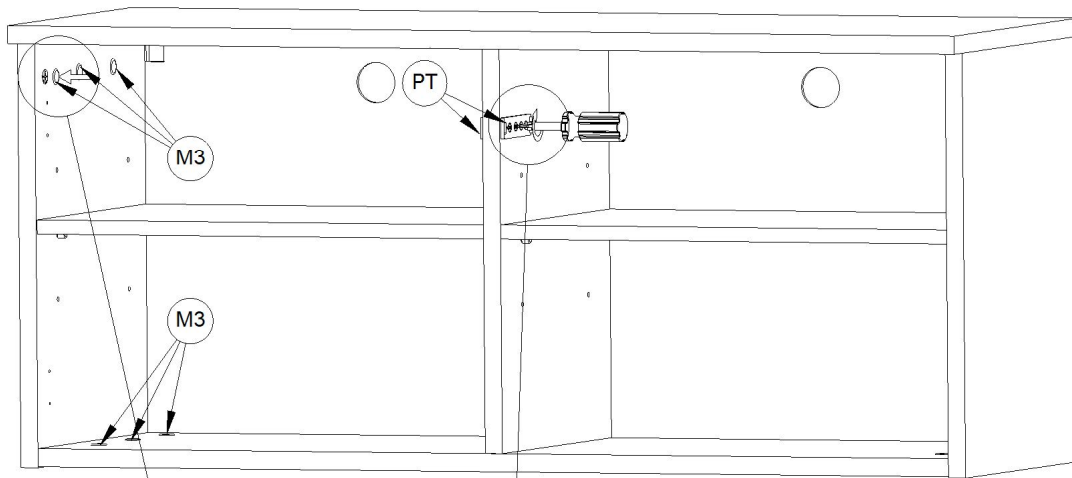
STEP 16



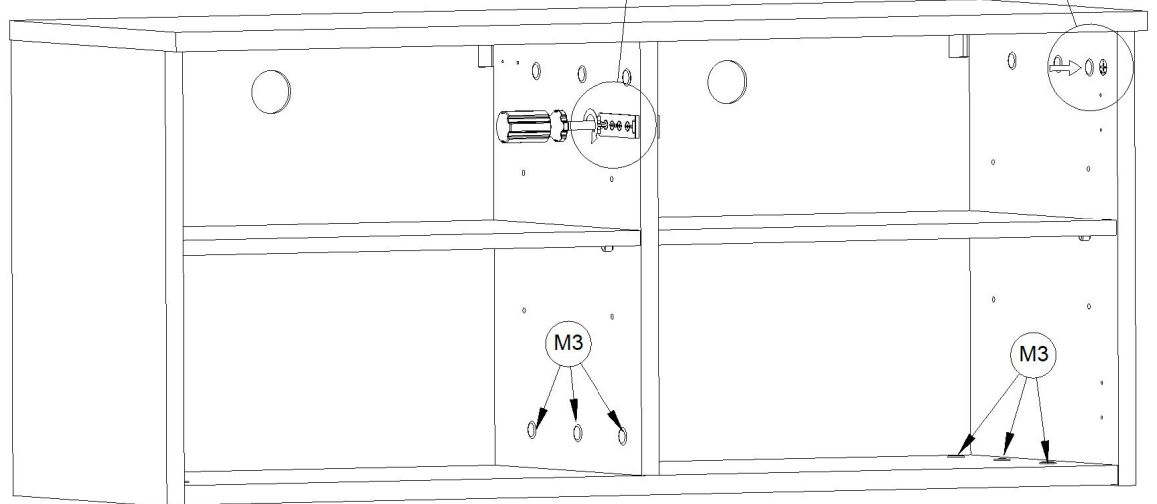
STEP 17 →

PT  x2	M3  x18	WS1  3,5x16 x29
---	---	---

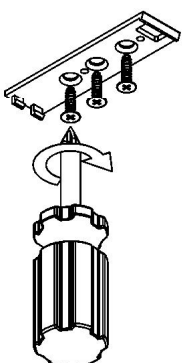
STEP 17



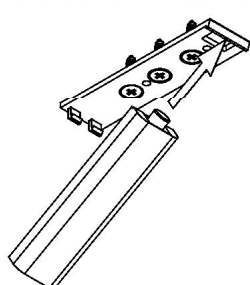
STEP 18



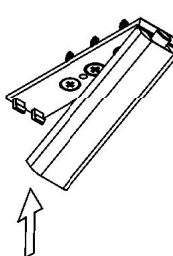
STEP 19a



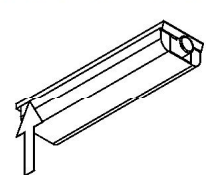
STEP 19b

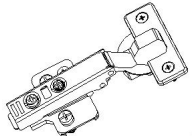
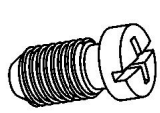



STEP 19c

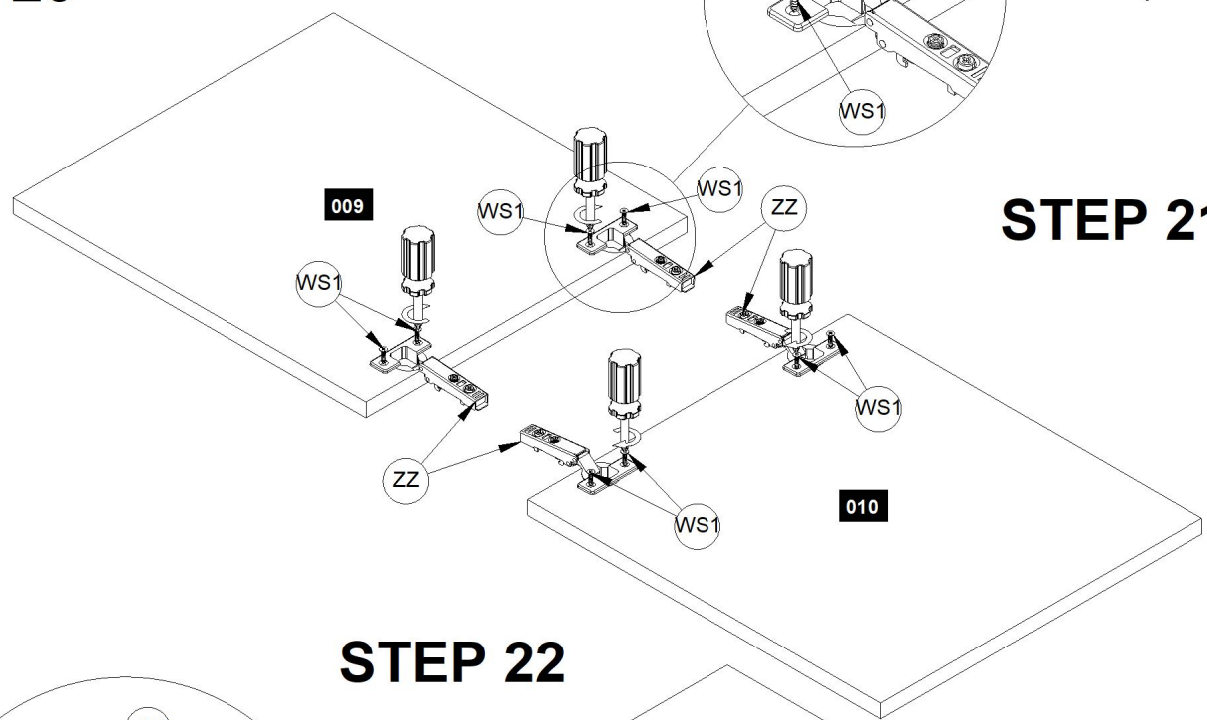


STEP 19d



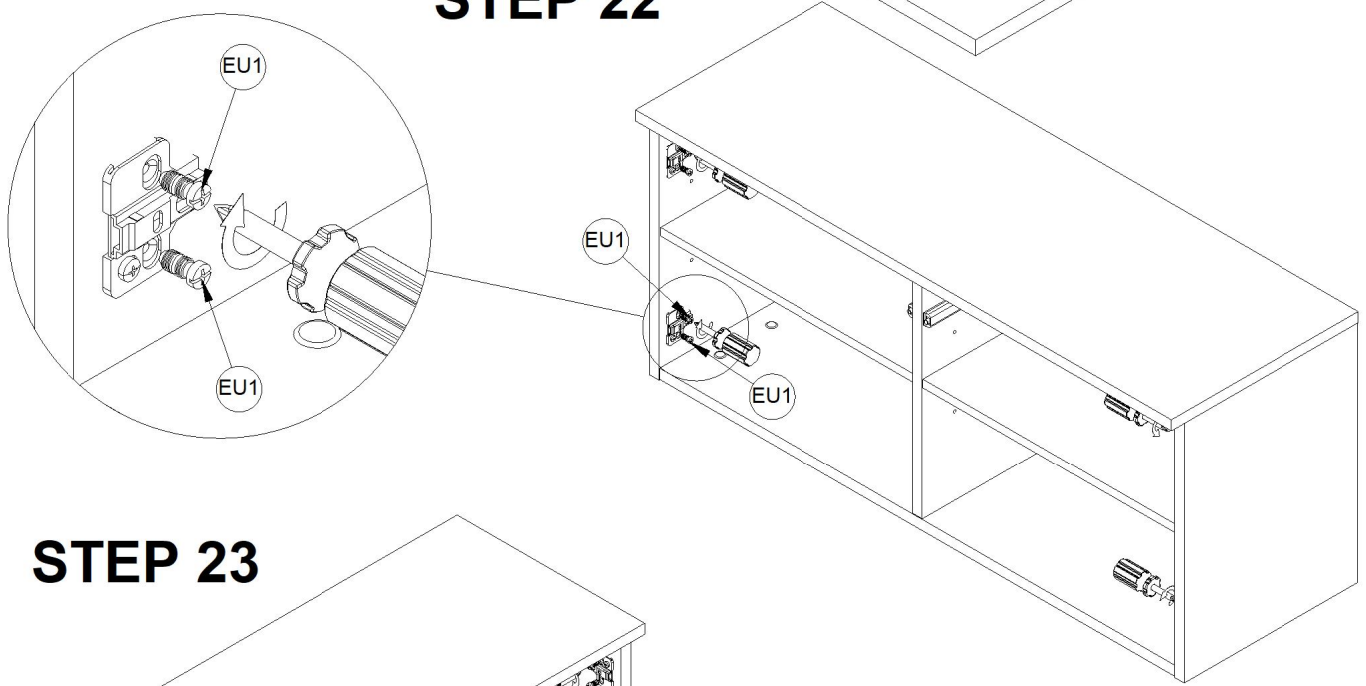
ZZ  x4	EU1  x8	WS1  3,5x16 x29
---	---	---

STEP 20

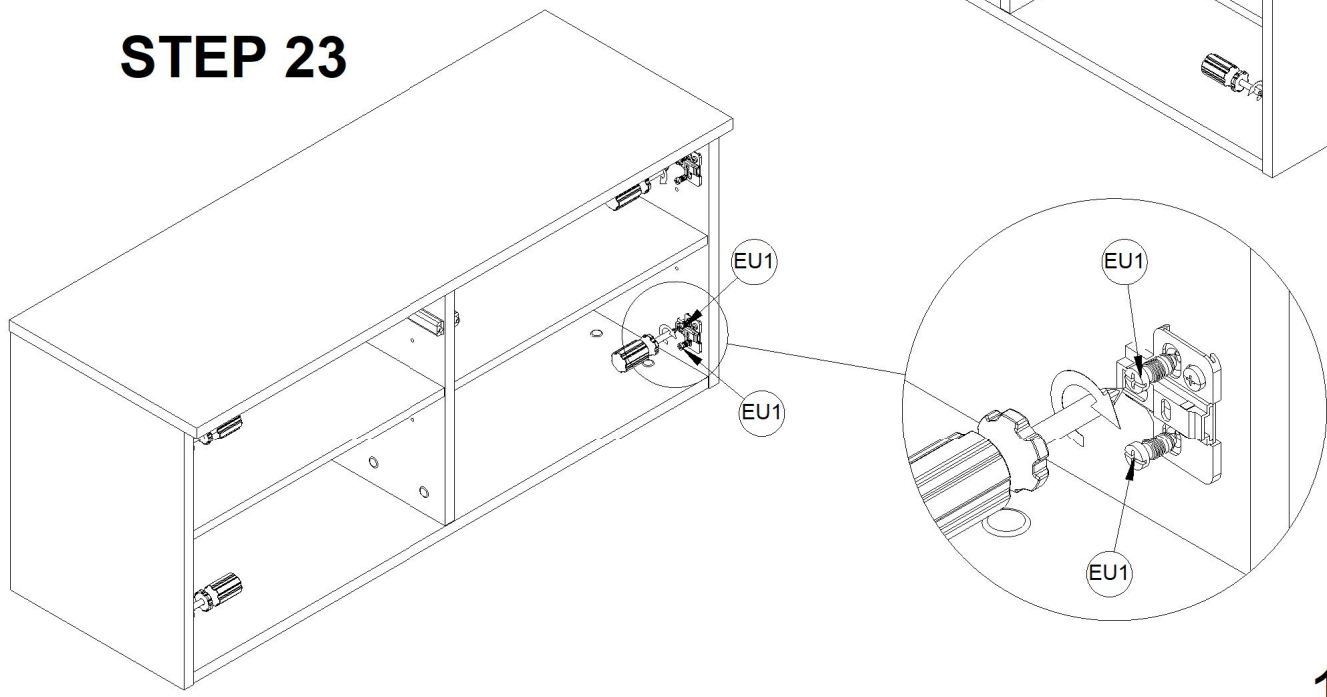


STEP 21

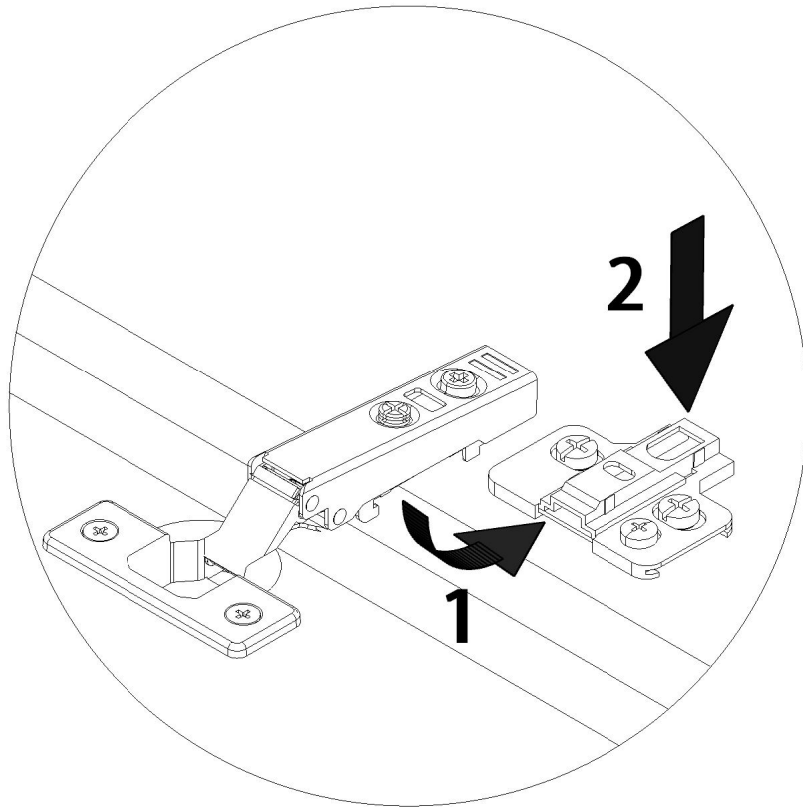
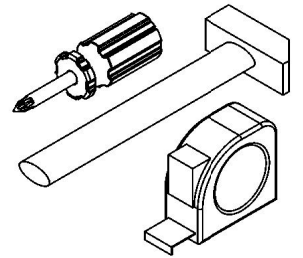
STEP 22



STEP 23



STEP 24



STEP 25

