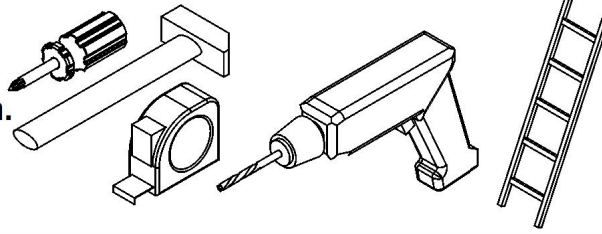
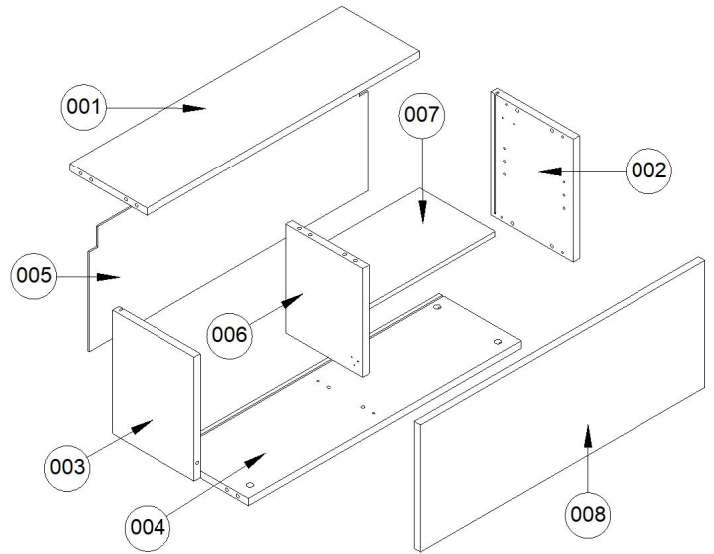
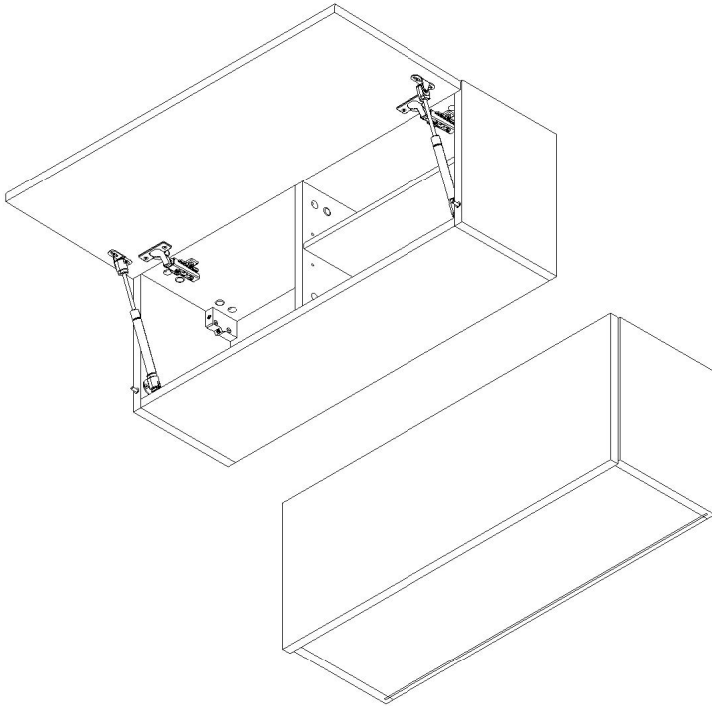


- 45 min.



SZL60-400

SZL80-400

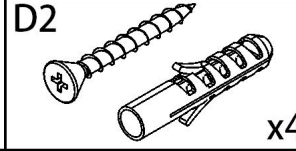
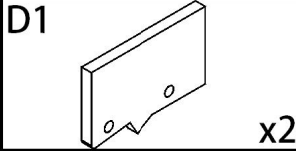
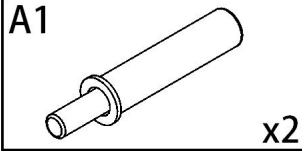
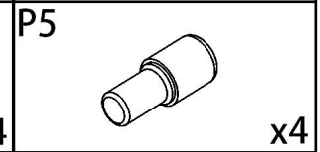
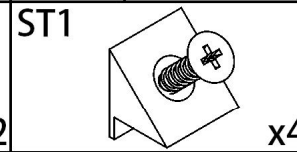
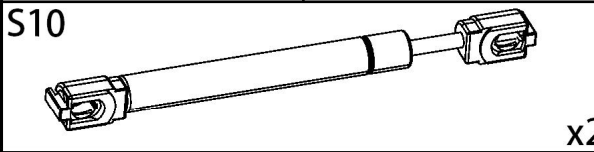
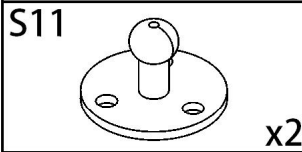
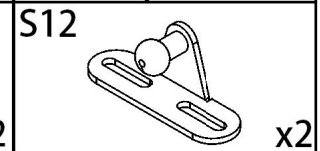
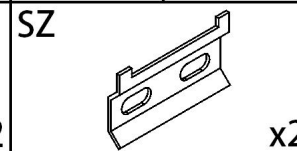
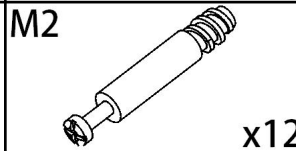
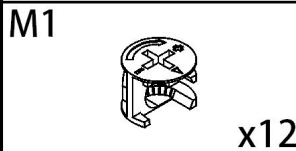
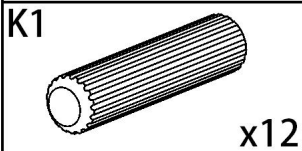
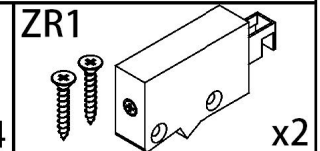
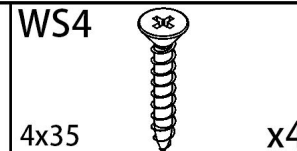
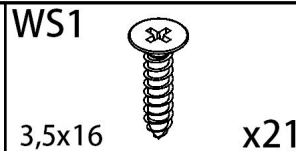
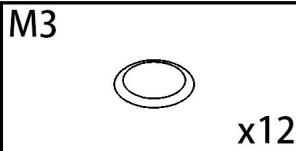
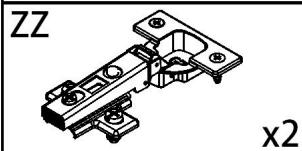


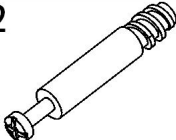
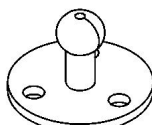
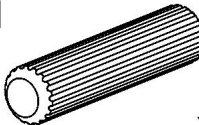

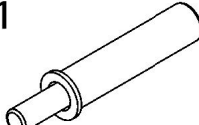
SZL60-400

SZL80-400

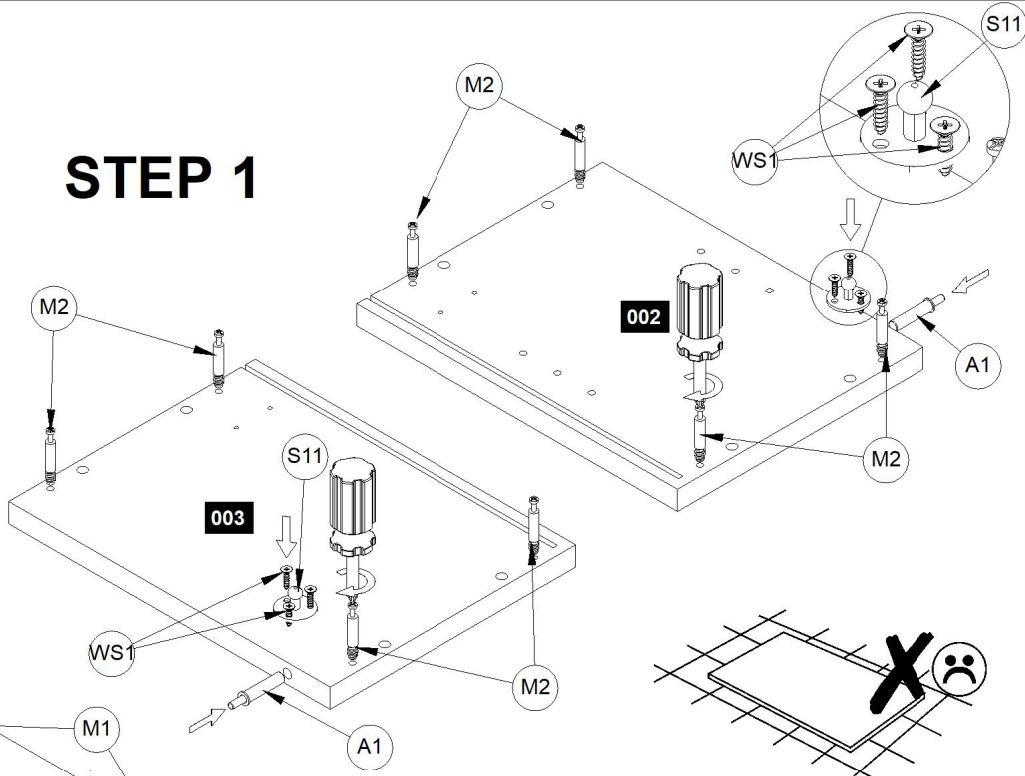
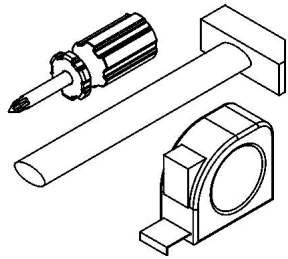
Number	Qty	Size A	Size B
001	1	564	220
002	1	400	235
003	1	400	235
004	1	564	233
005	1	388	581
006	1	361	219
007	1	373	180
008	1	408	598

Number	Qty	Size A	Size B
001	1	764	220
002	1	400	235
003	1	400	235
004	1	764	233
005	1	388	781
006	1	361	219
007	1	373	180
008	1	408	798

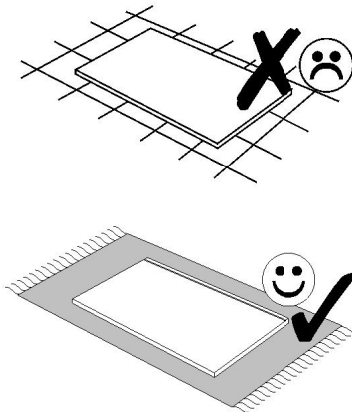
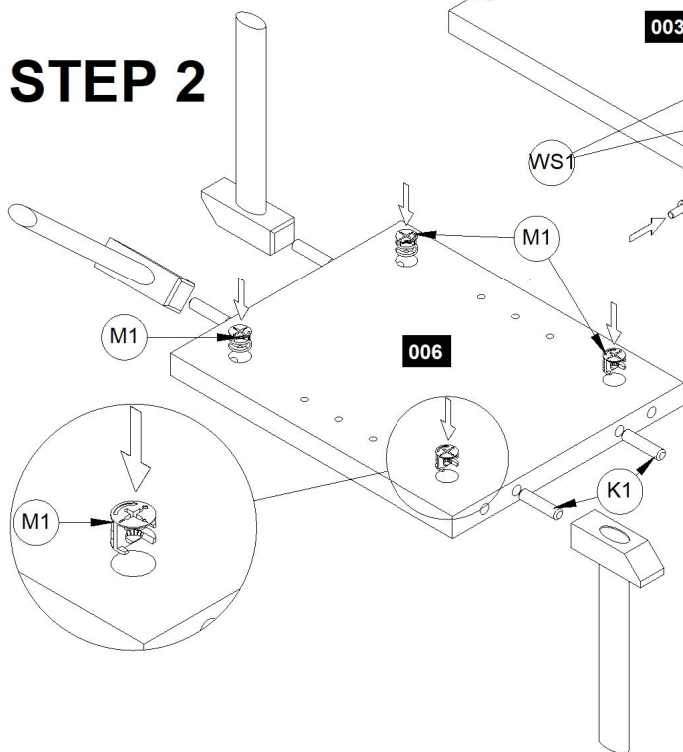


M2  x12	S11  x2	K1  x12	WS1  3,5x16 x21	A1  x2
--	---	---	--	--

STEP 1

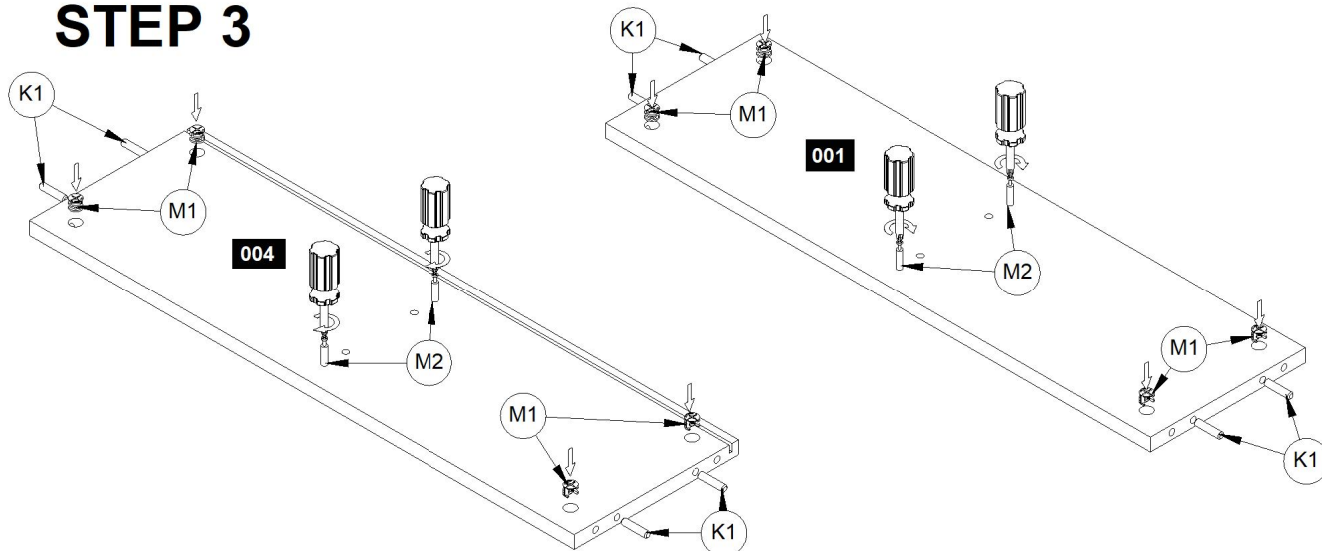


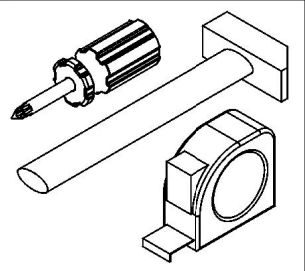
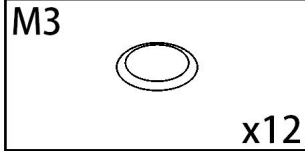
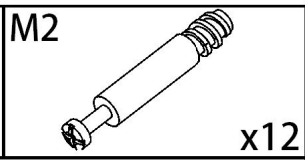
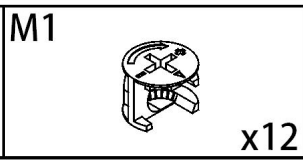
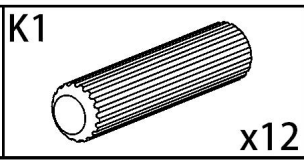
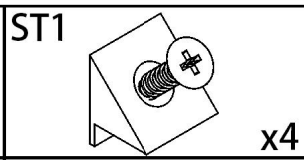
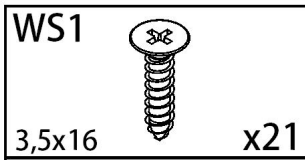
STEP 2



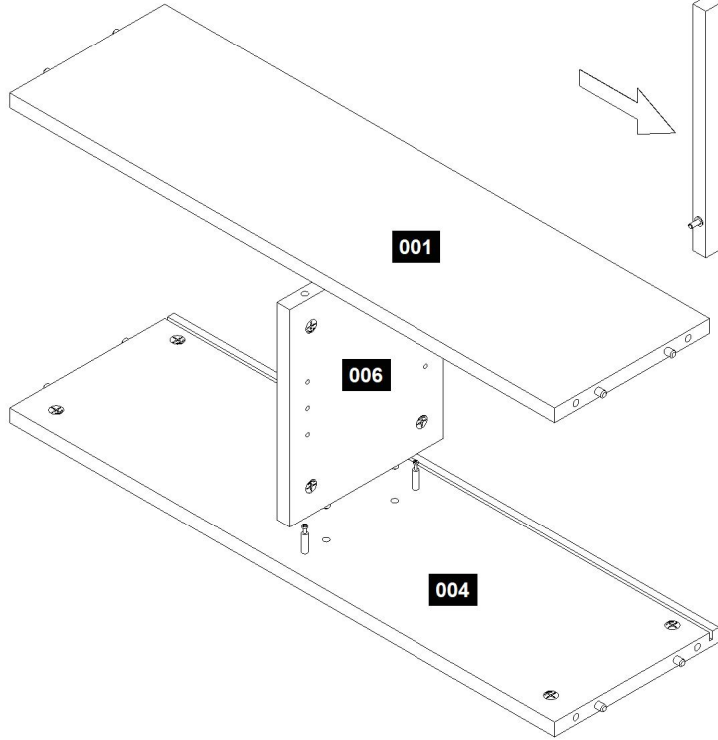
STEP 4

STEP 3

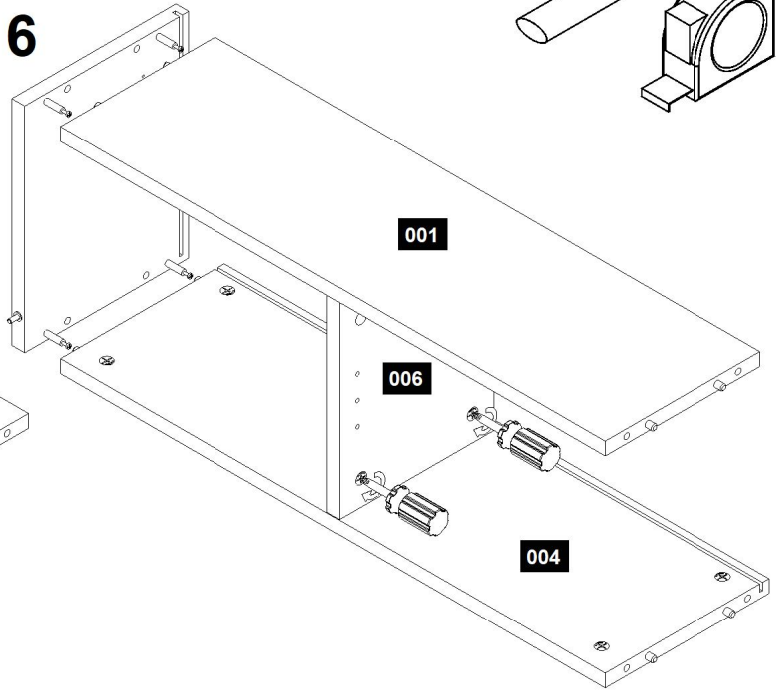




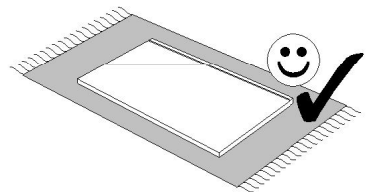
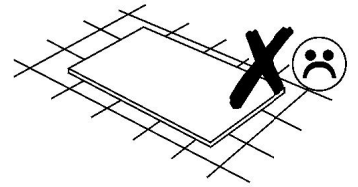
STEP 5



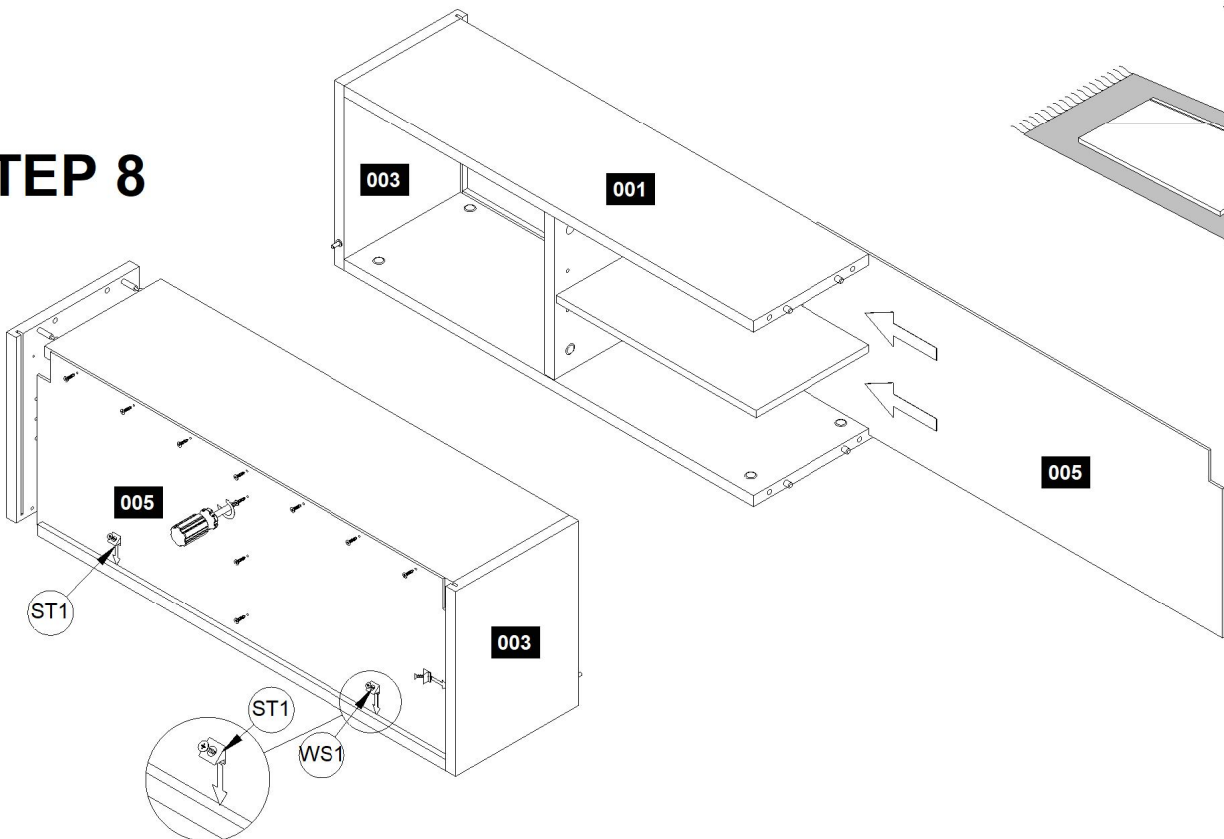
STEP 6

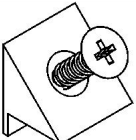
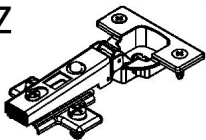

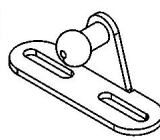
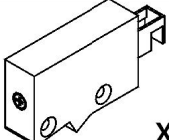
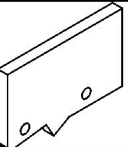


STEP 7



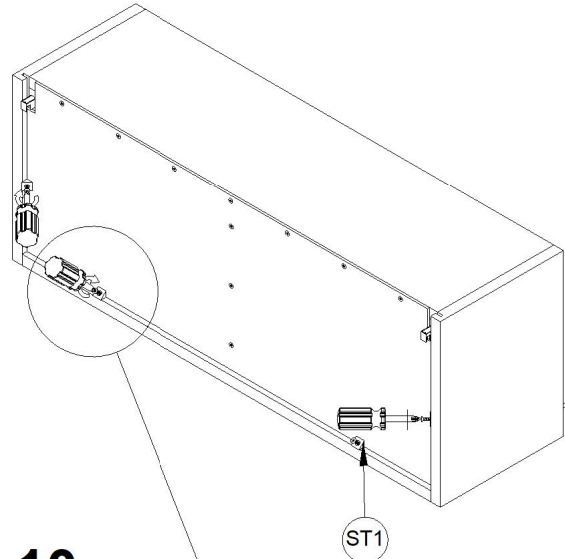
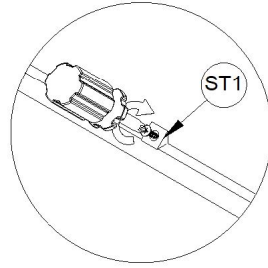
STEP 8



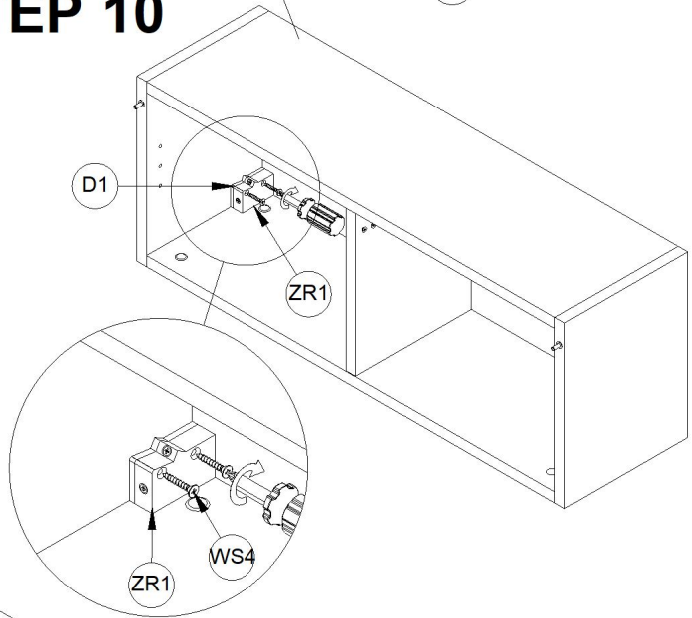
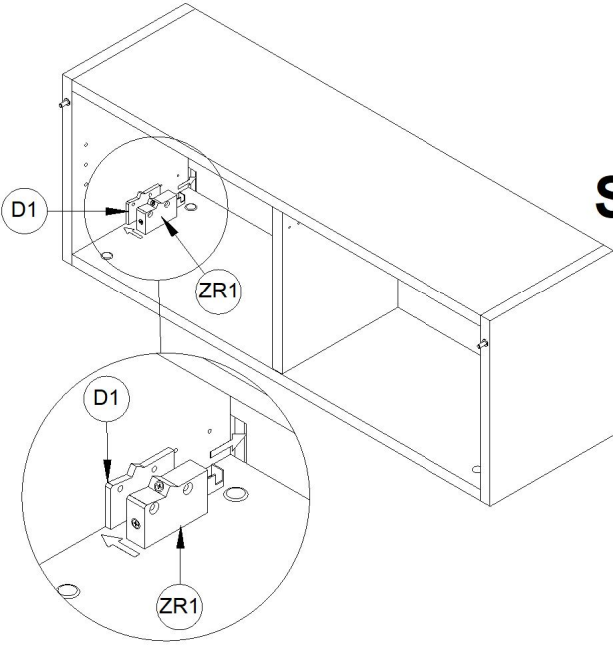
ST1  x4	ZZ  x2	WS1  3,5x16 x21	S12  x2	ZR1  x2
D1  x2				

STEP 9

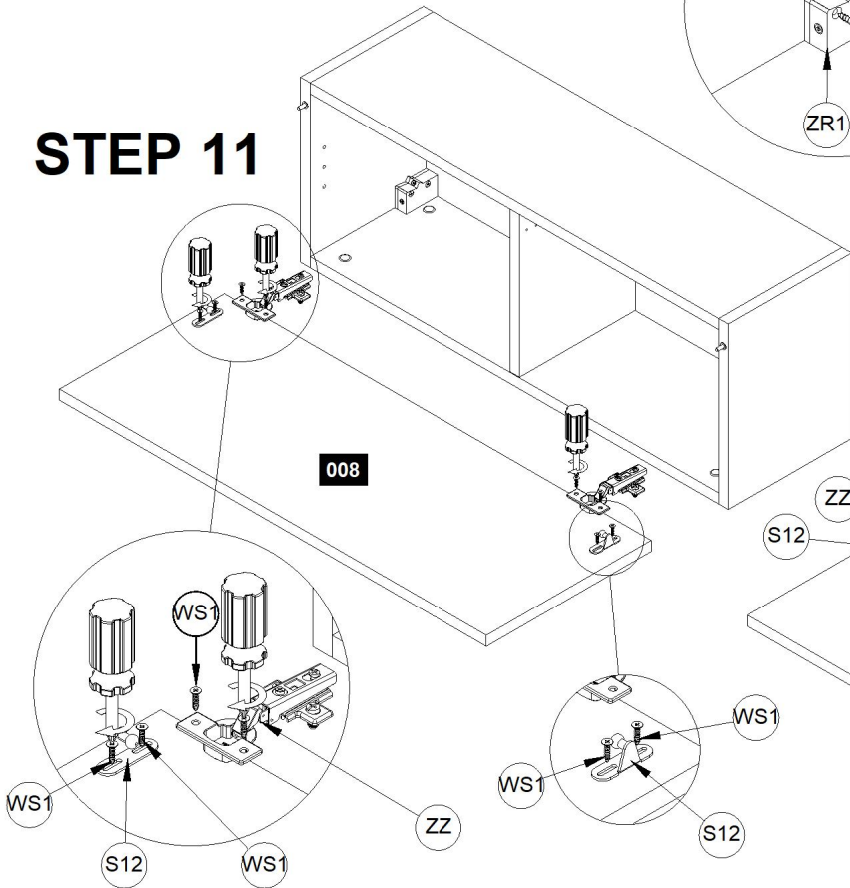
STEP 180°



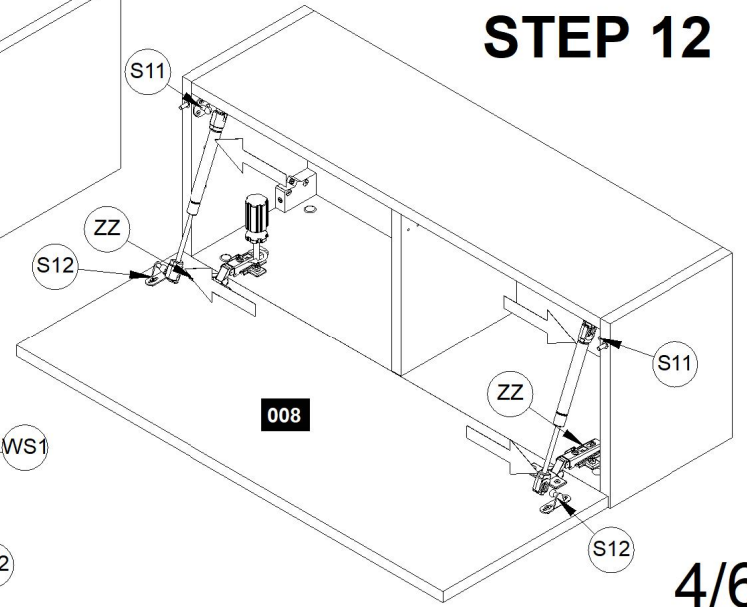
STEP 10



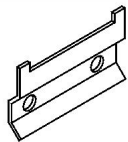
STEP 11



STEP 12

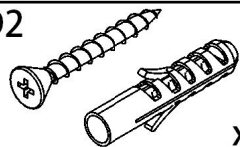


SZ



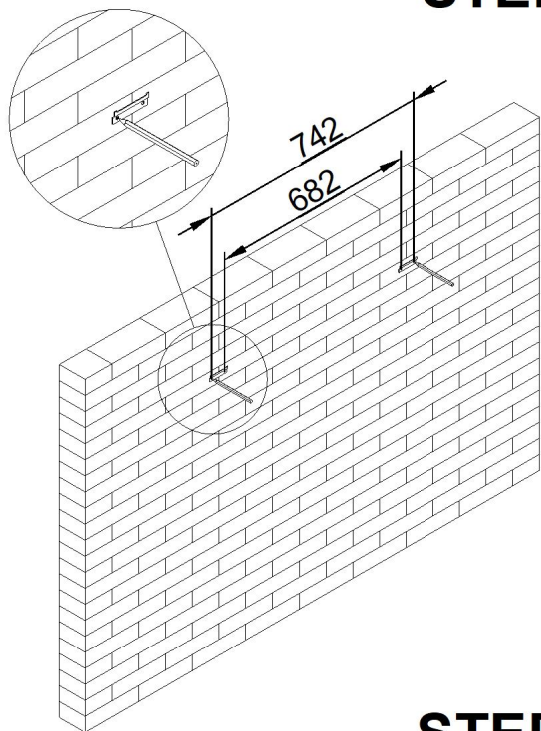
x2

D2

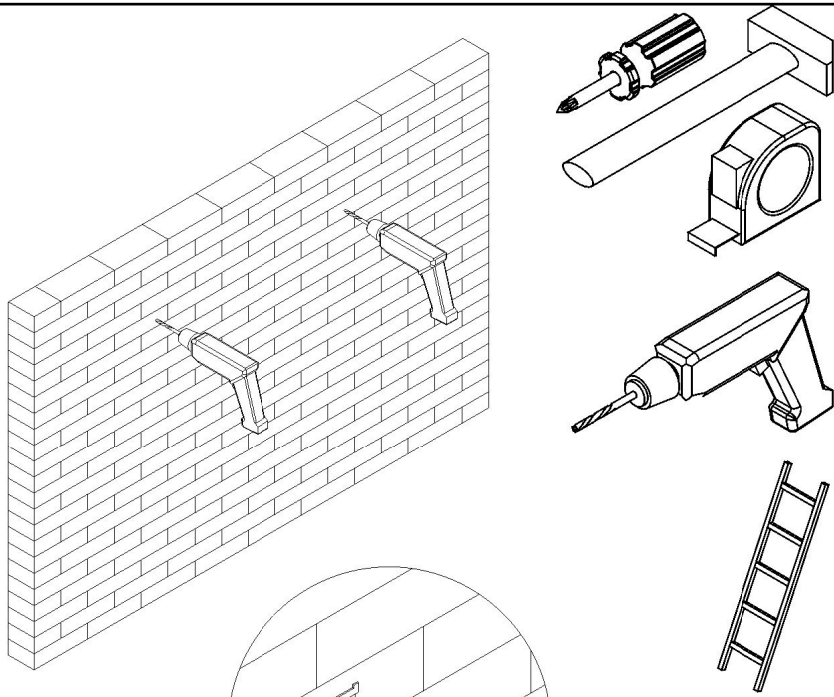


x4

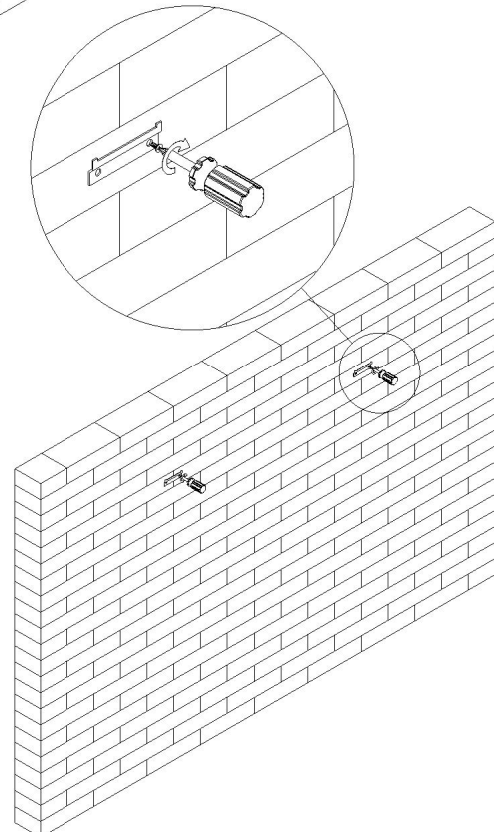
STEP 13



STEP 14



STEP 15



STEP 16

