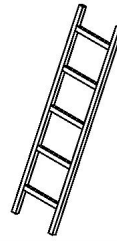
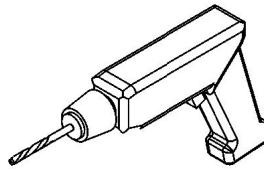
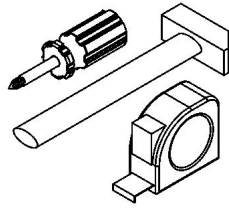
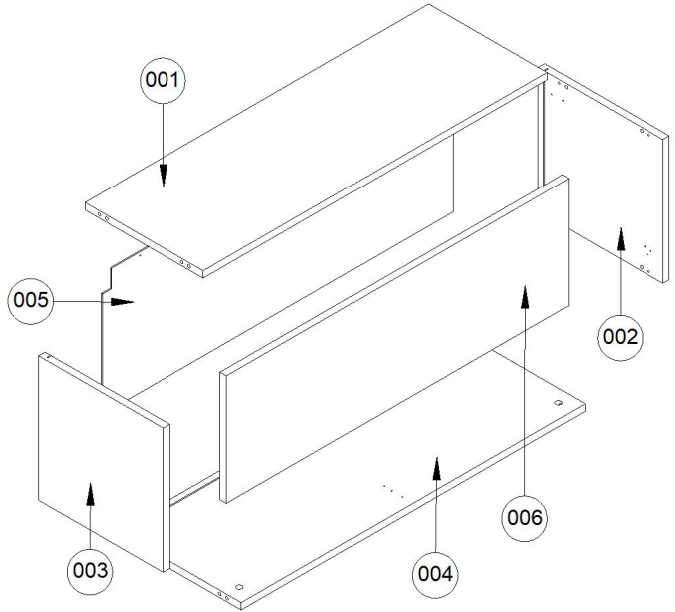
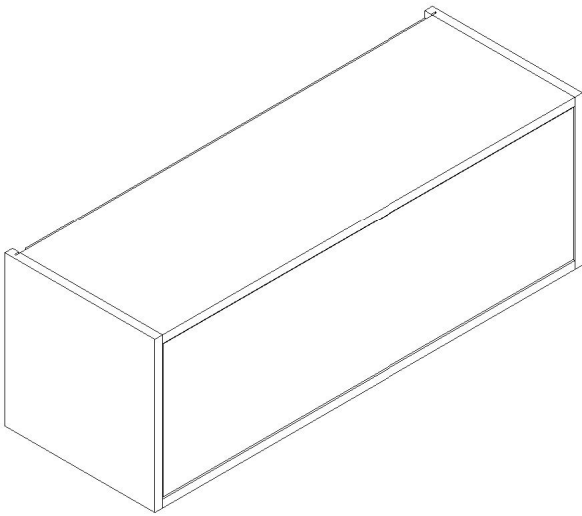
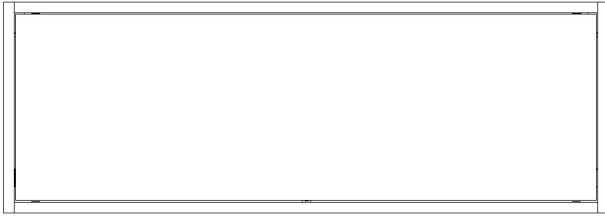




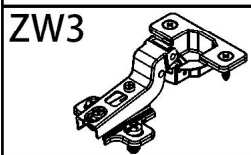
- 45 min.



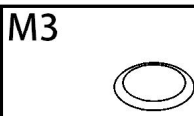
# SZP100



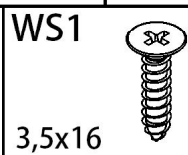
Number	Qty	Size A	Size B
001	1	964	332
002	1	350	350
003	1	350	350
004	1	964	350
005	1	342	984
006	1	309	960



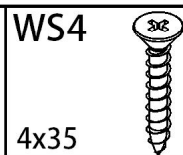
x2



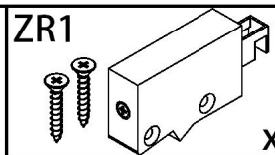
x8



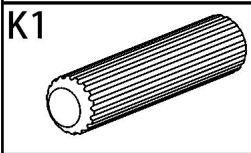
x26



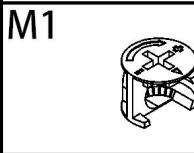
x4



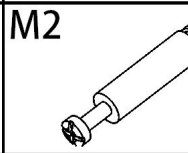
x2



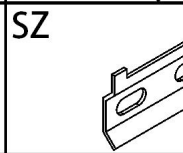
x8



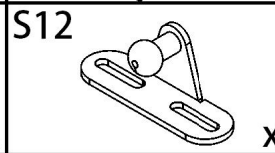
x8



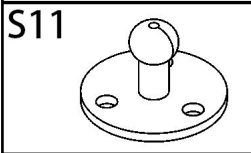
x8



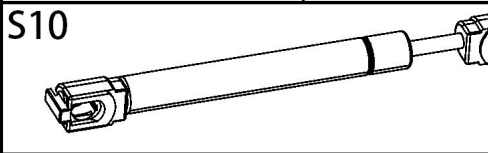
x2



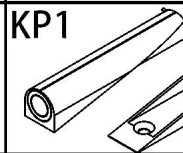
x2



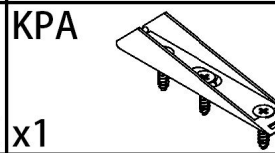
x2



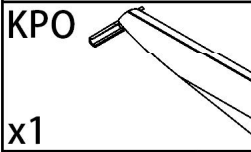
x2



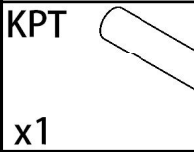
x1



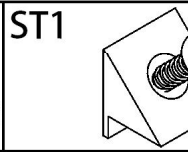
x1



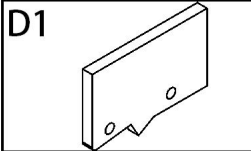
x1



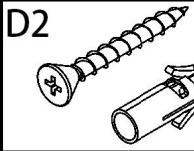
x1



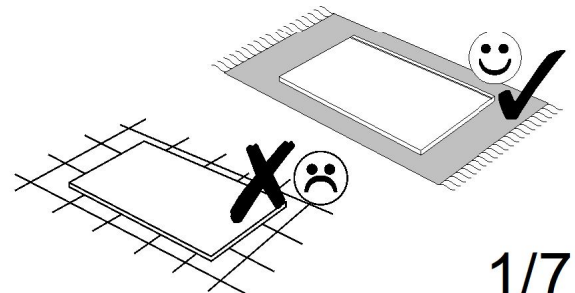
x7



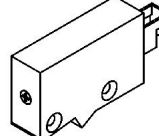
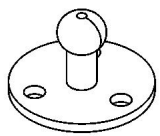
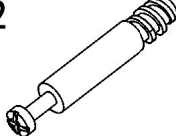


x2

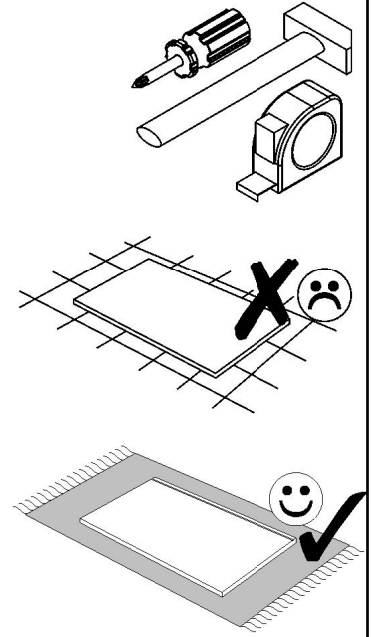
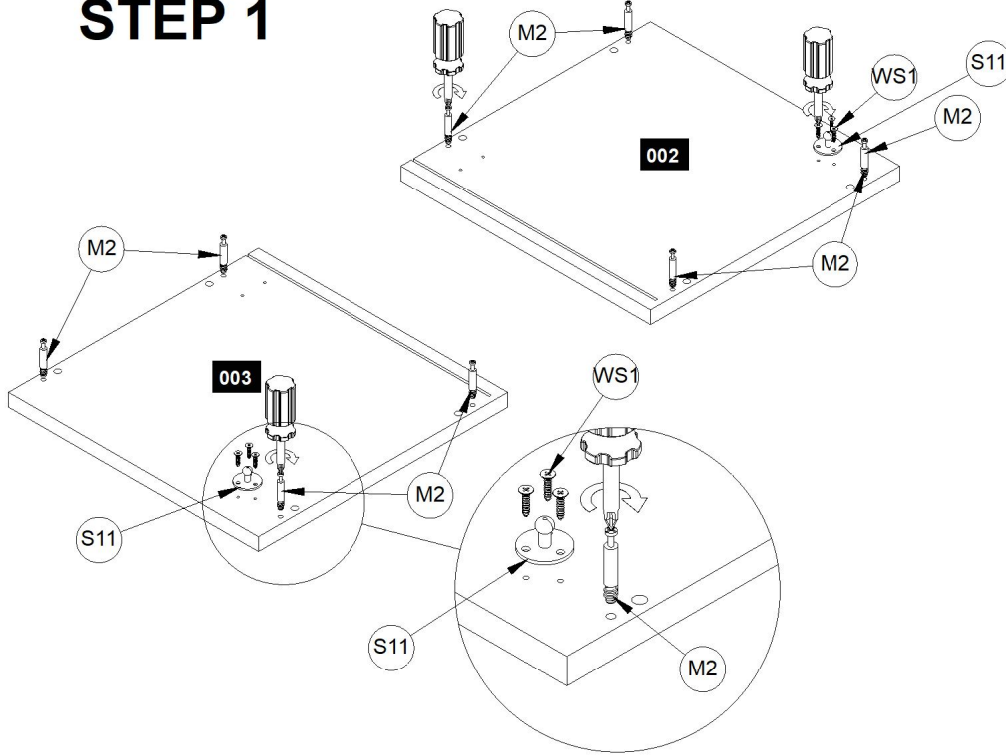


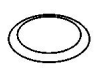
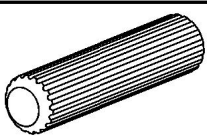

x4



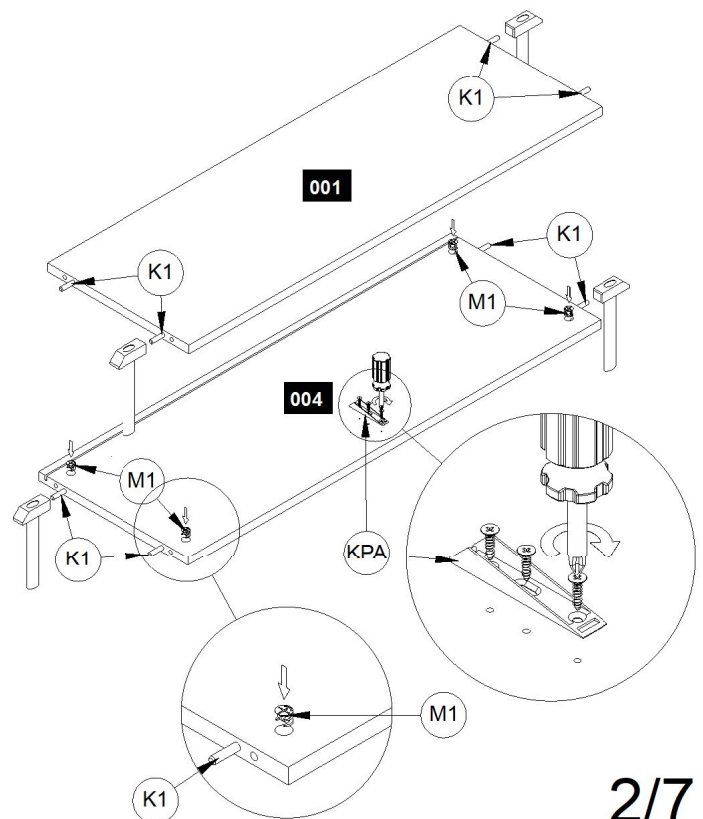
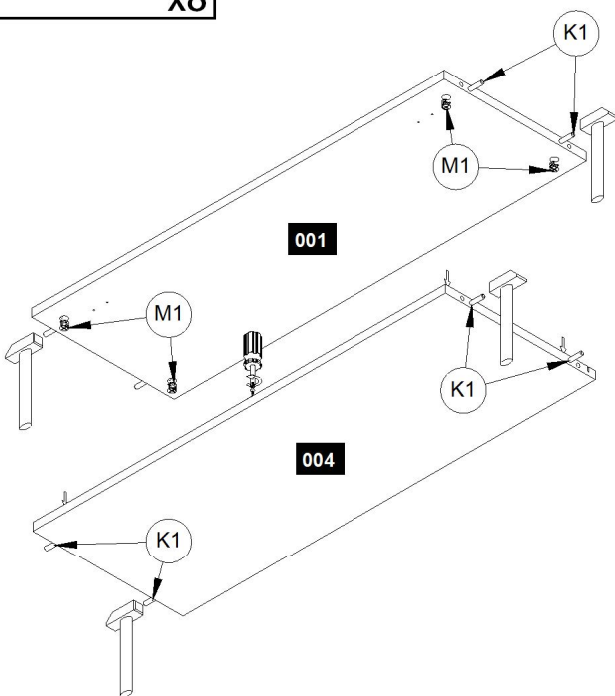
WS1 3,5x16  x26	WS4 4x35  x4	ZR1  x2	S11  x2	M2  x8
--	---	---	---	--

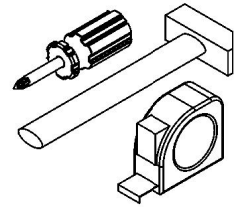
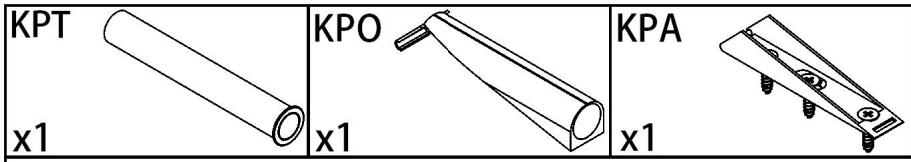
## STEP 1



M3  x8	K1  x8
M1  x8	

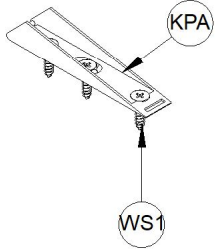
## STEP 2



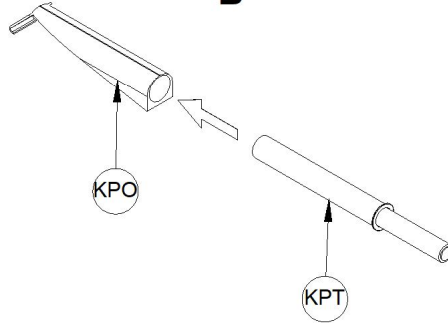


# STEP 3

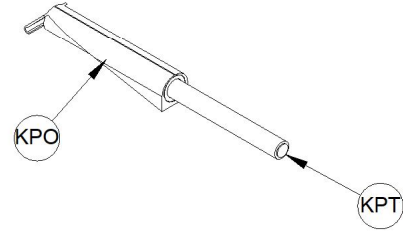
## STEP 3 A



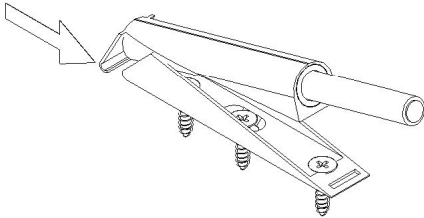
## STEP 3 B



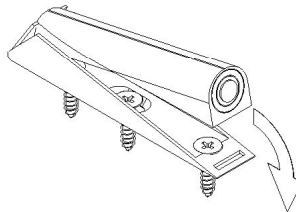
## STEP 3 C



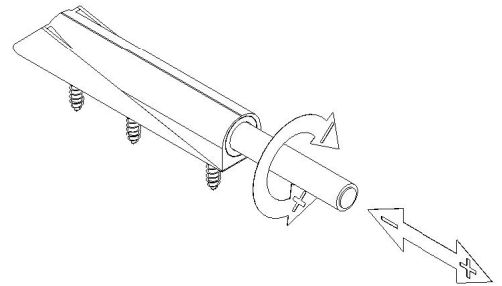
## STEP 3 D



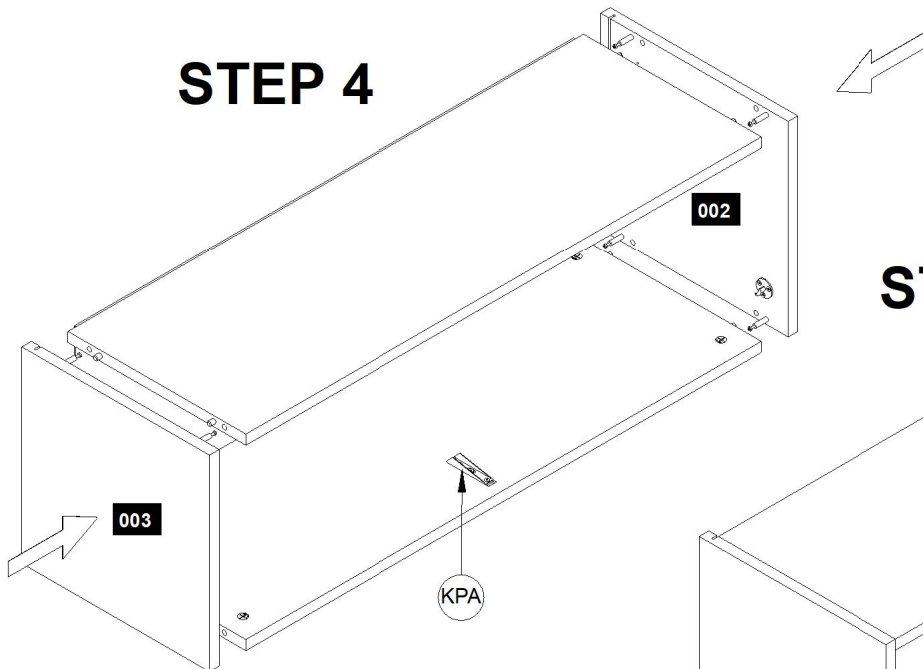
## STEP 3 E



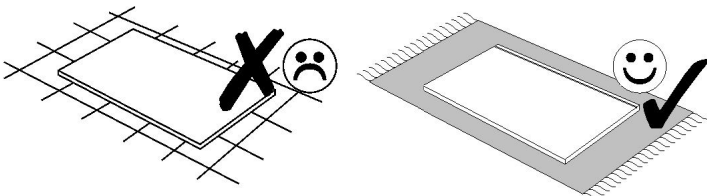
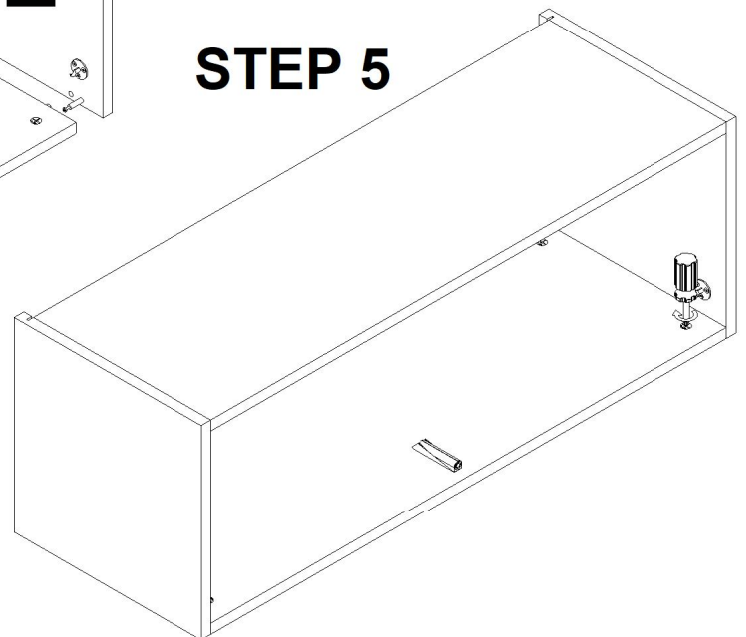
## STEP 3 F




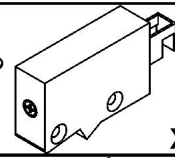
# STEP 4




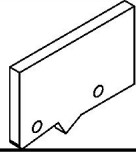
# STEP 5

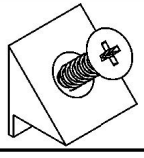


**WS4**  **x4**  
4x35

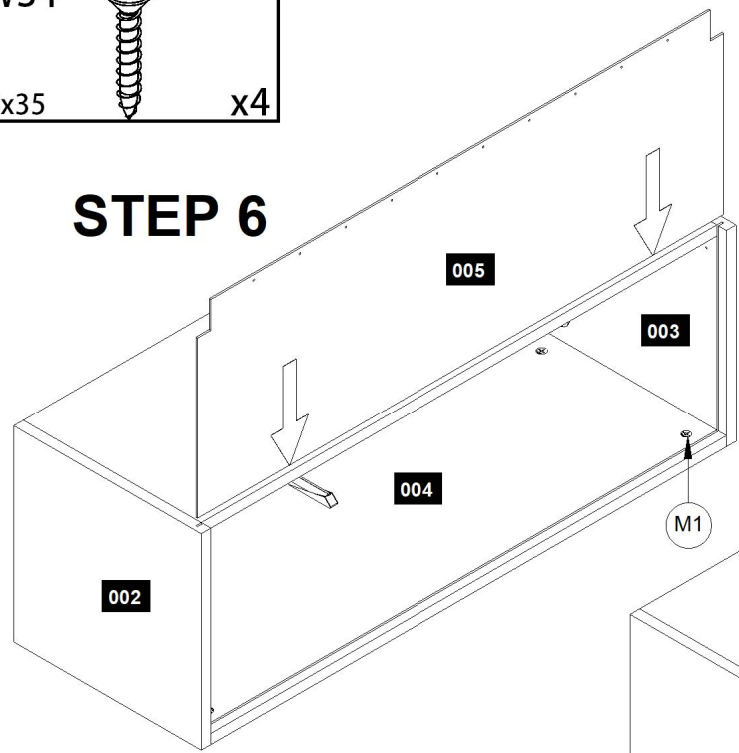
**ZR1**  **x2**

**WS1**  **x20**  
3,5x16

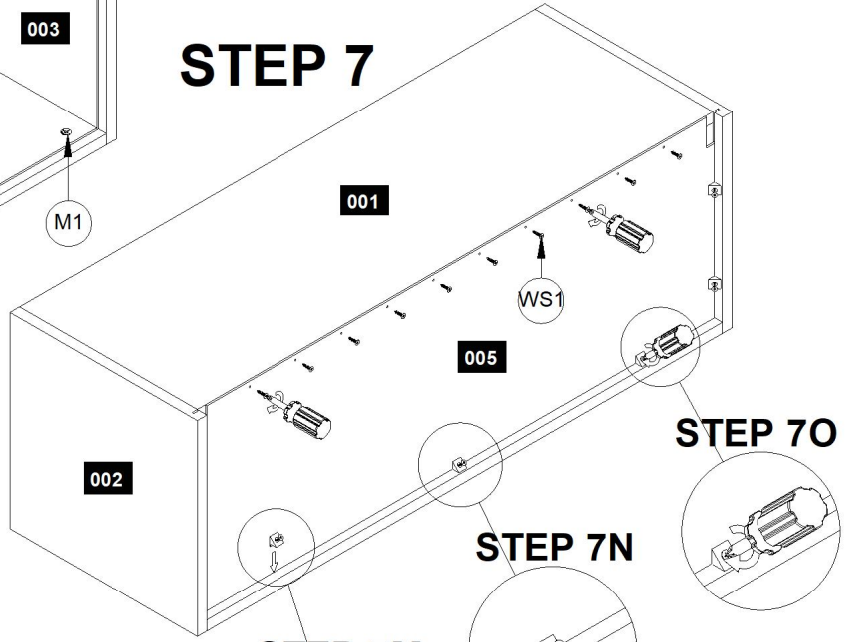
**D1**  **x2**

**ST1**  **x7**

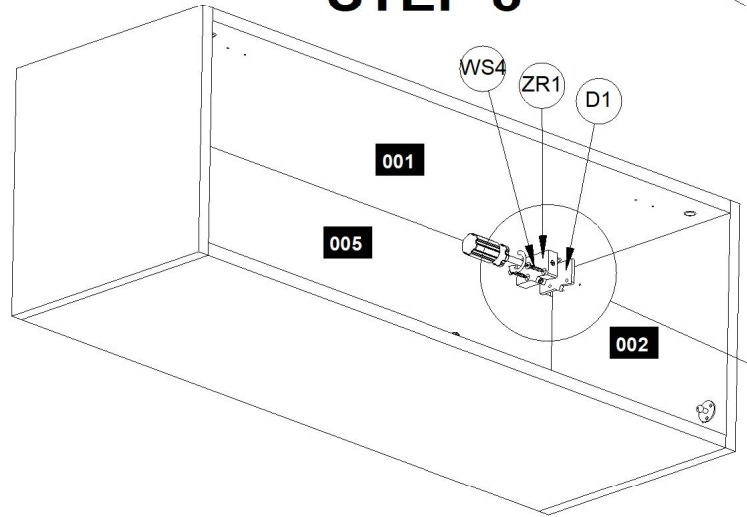
**STEP 6**




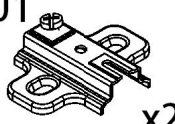
**STEP 7**

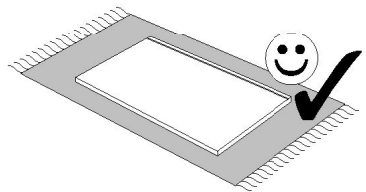
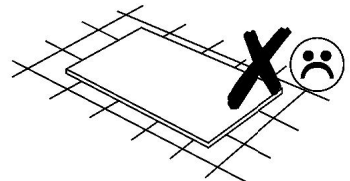
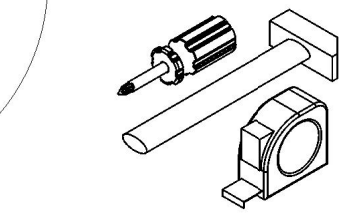
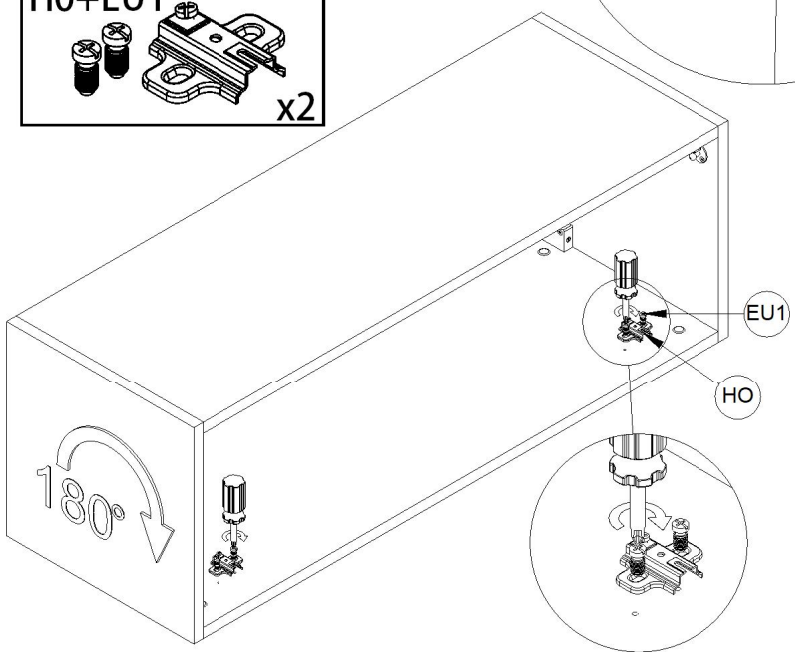


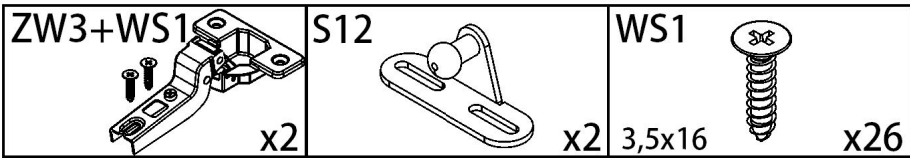
**STEP 8**



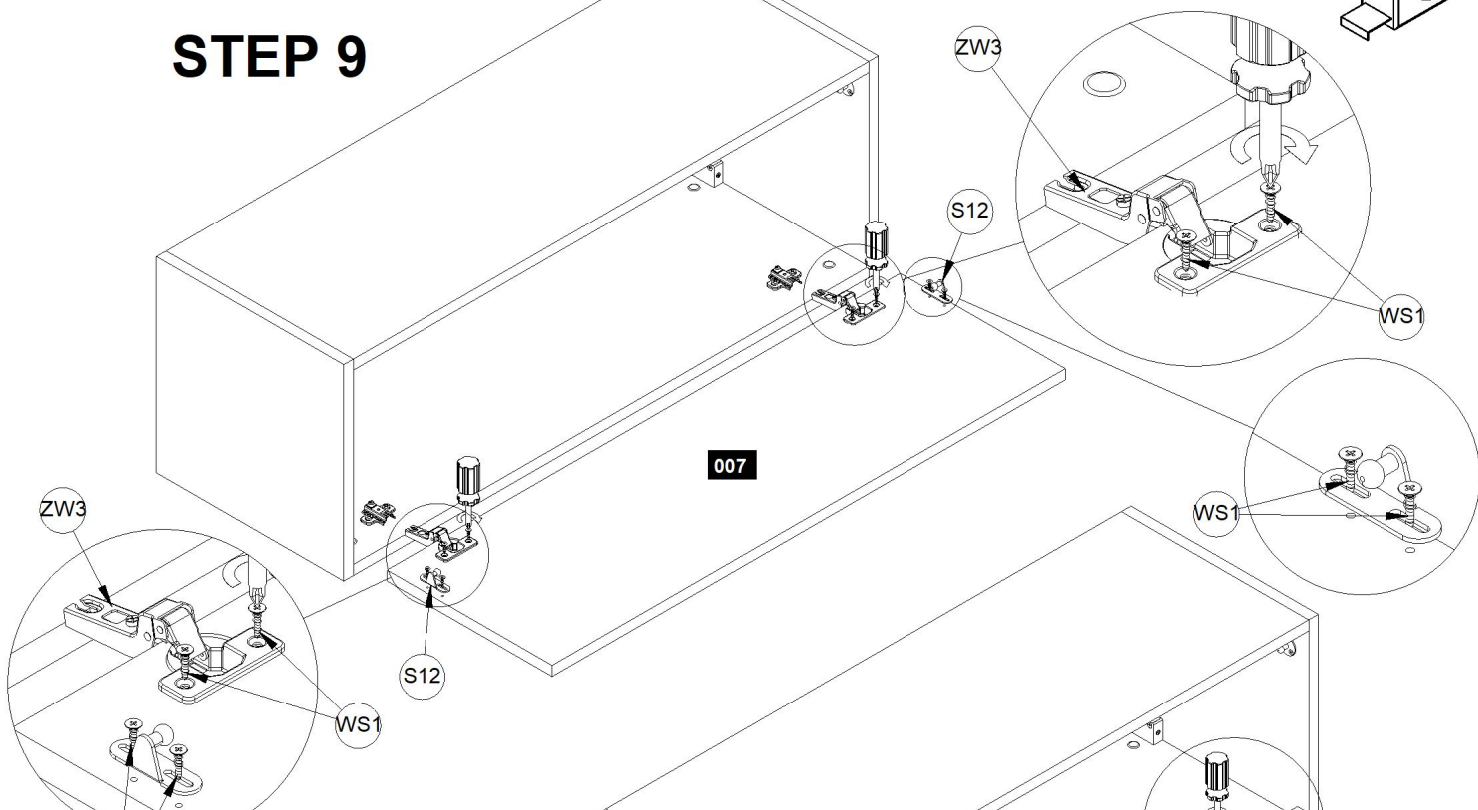
**STEP 8**  
  
180°

**H0+EU1**  **x2**

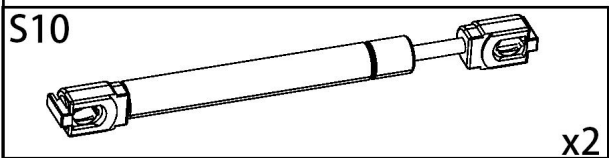
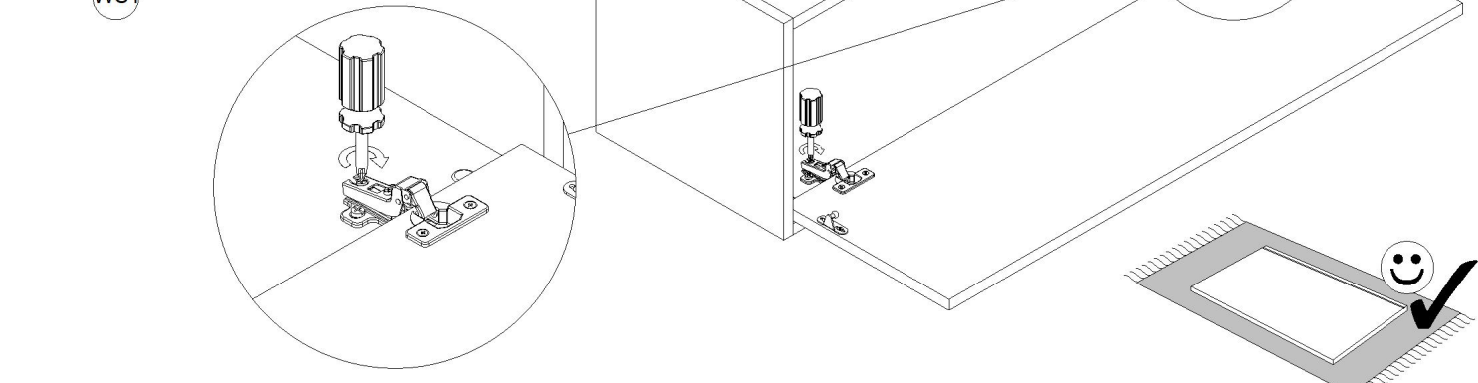




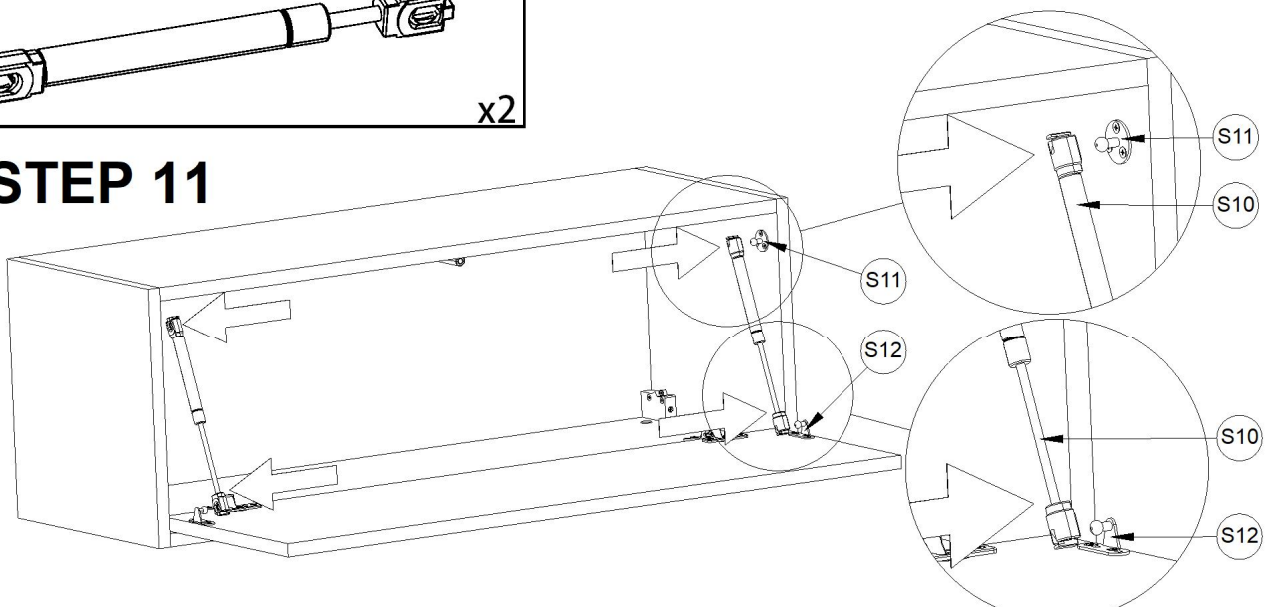
## STEP 9



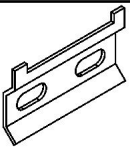
## STEP 10



## STEP 11

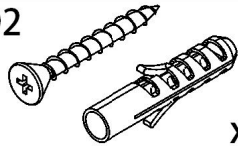


SZ

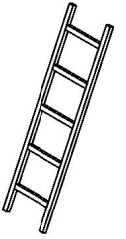
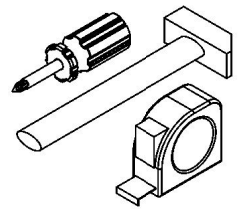


x2

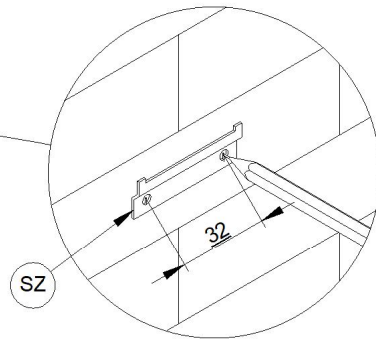
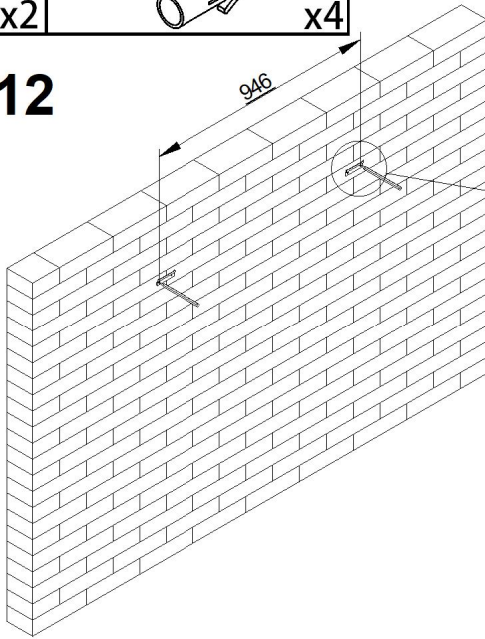
D2



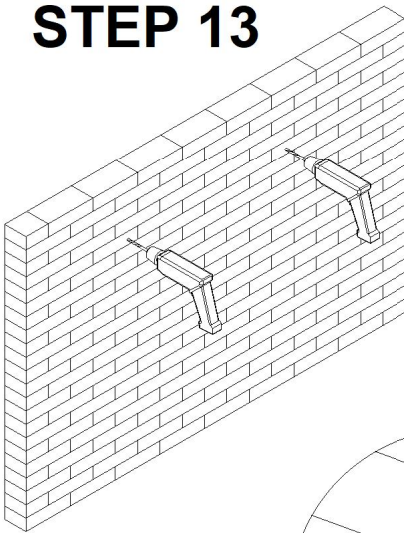
x4



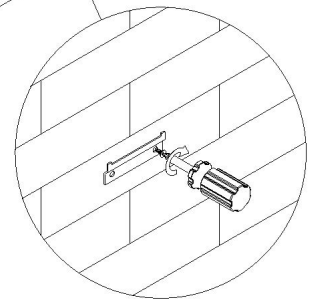
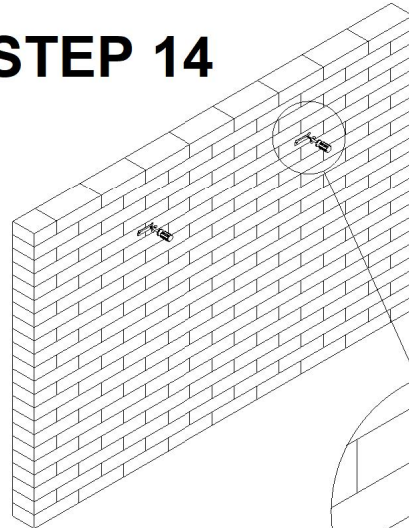
# STEP 12



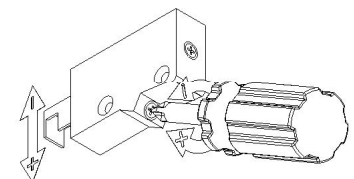
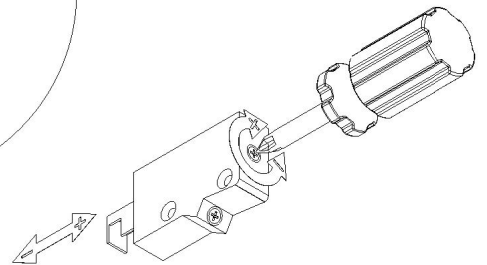
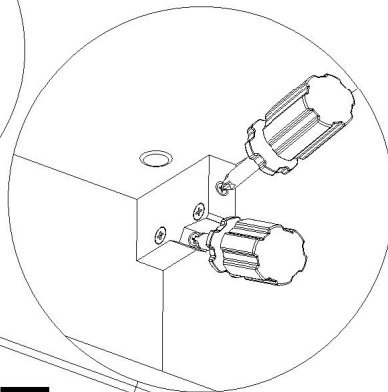
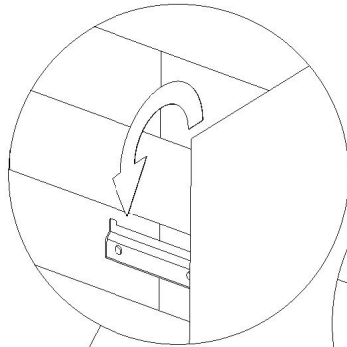
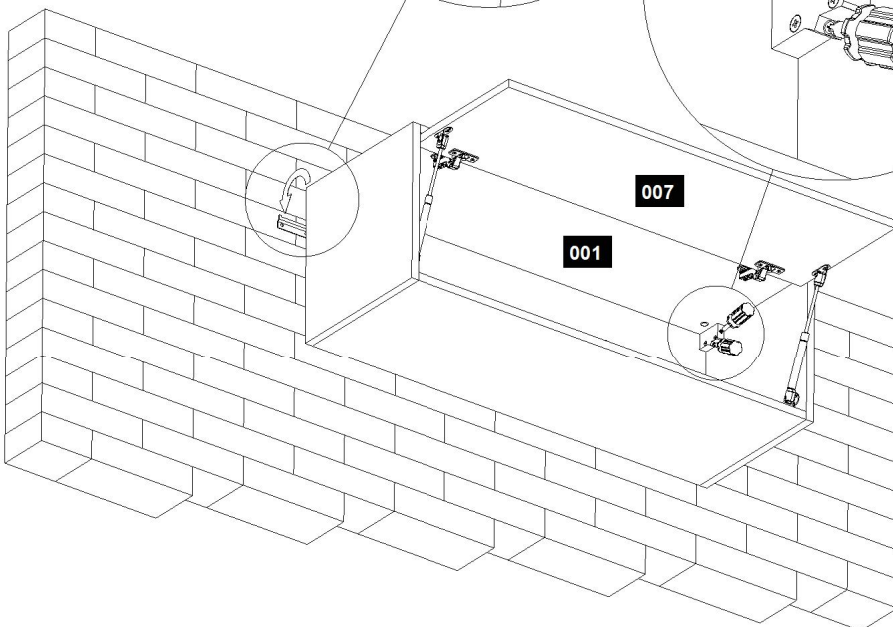
# STEP 13



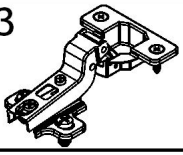
# STEP 14



# STEP 15



ZW3



x2

