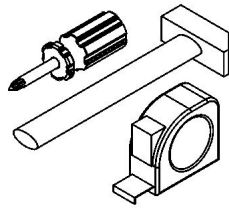
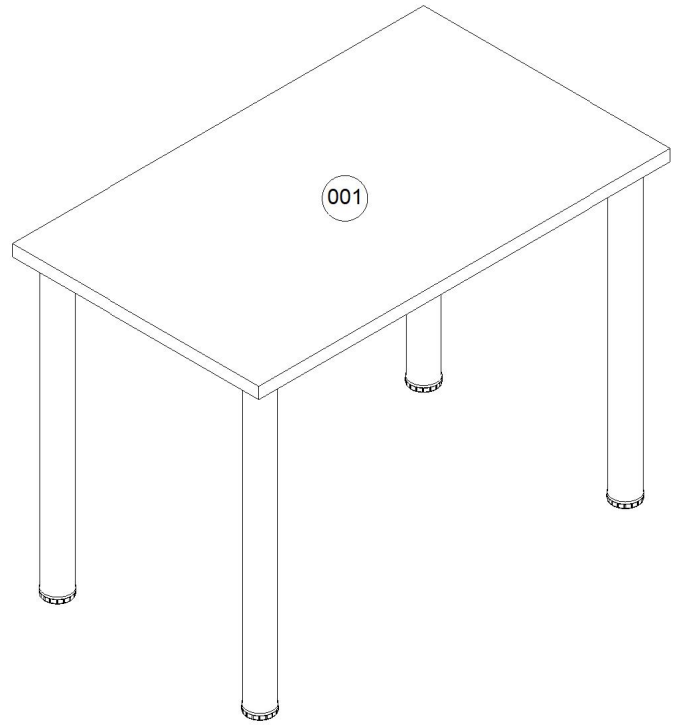
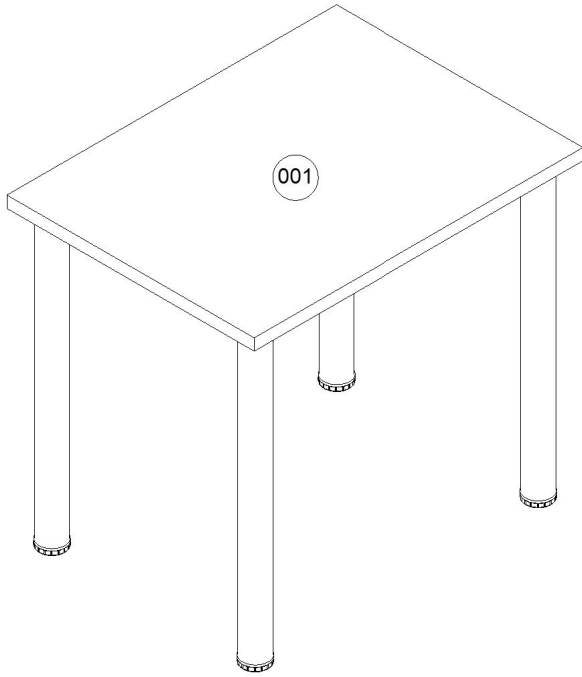


- 15 min.



BOSTON 80 BOSTON 100



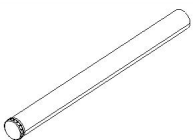
BOSTON 80

BOSTON 100

Number	Qty	Size A	Size B
001	1	800	600

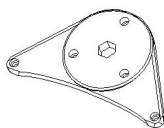
Number	Qty	Size A	Size B
001	1	1000	600

N1



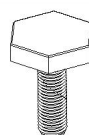
x4

N2



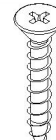
x4

B1



x4

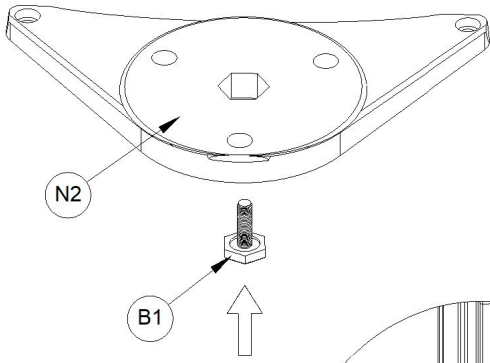
WS2



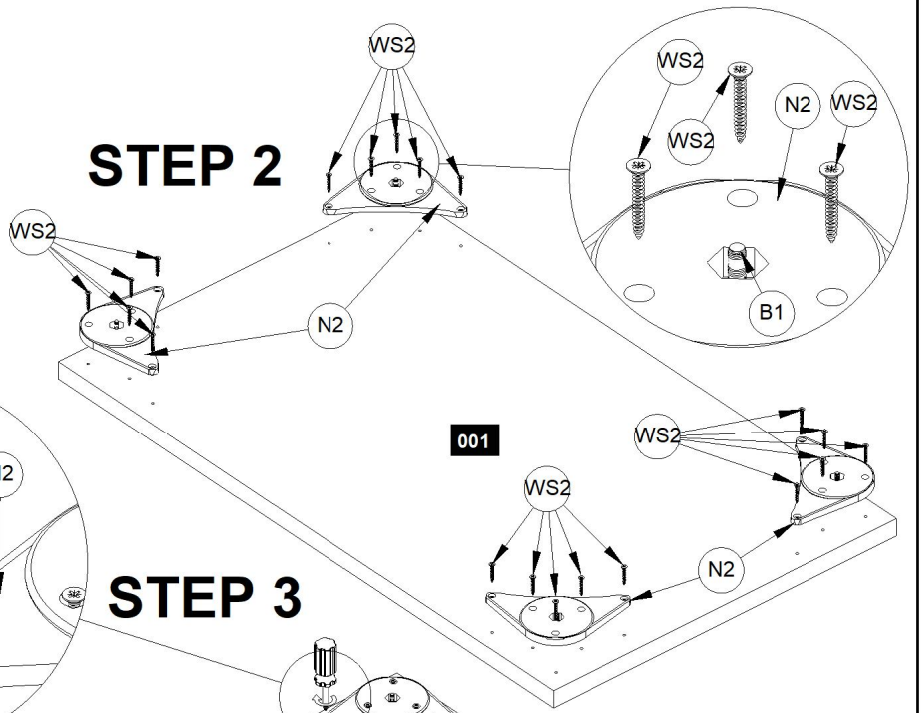
4x25

x20

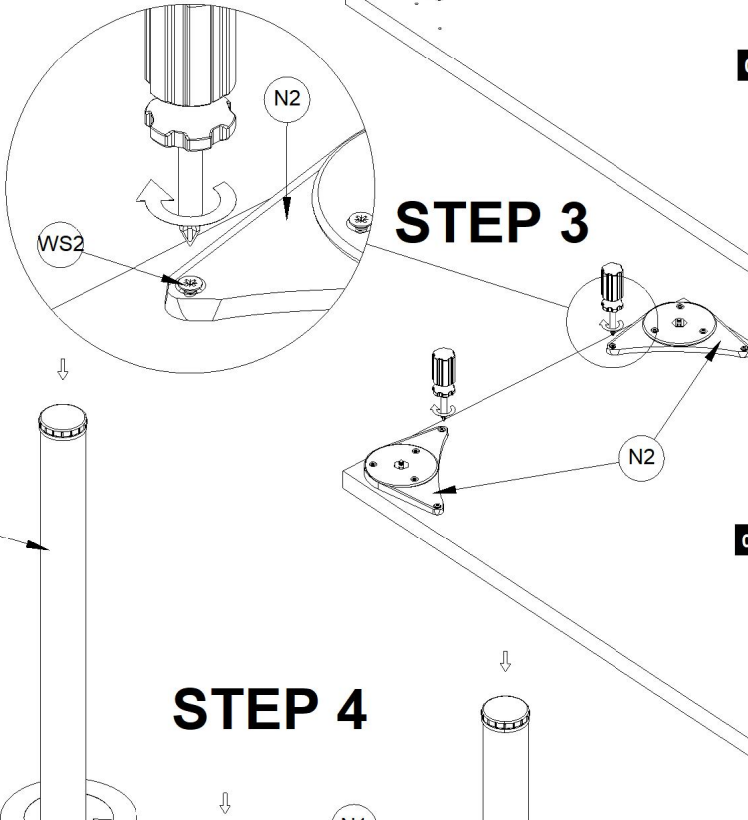
STEP 1



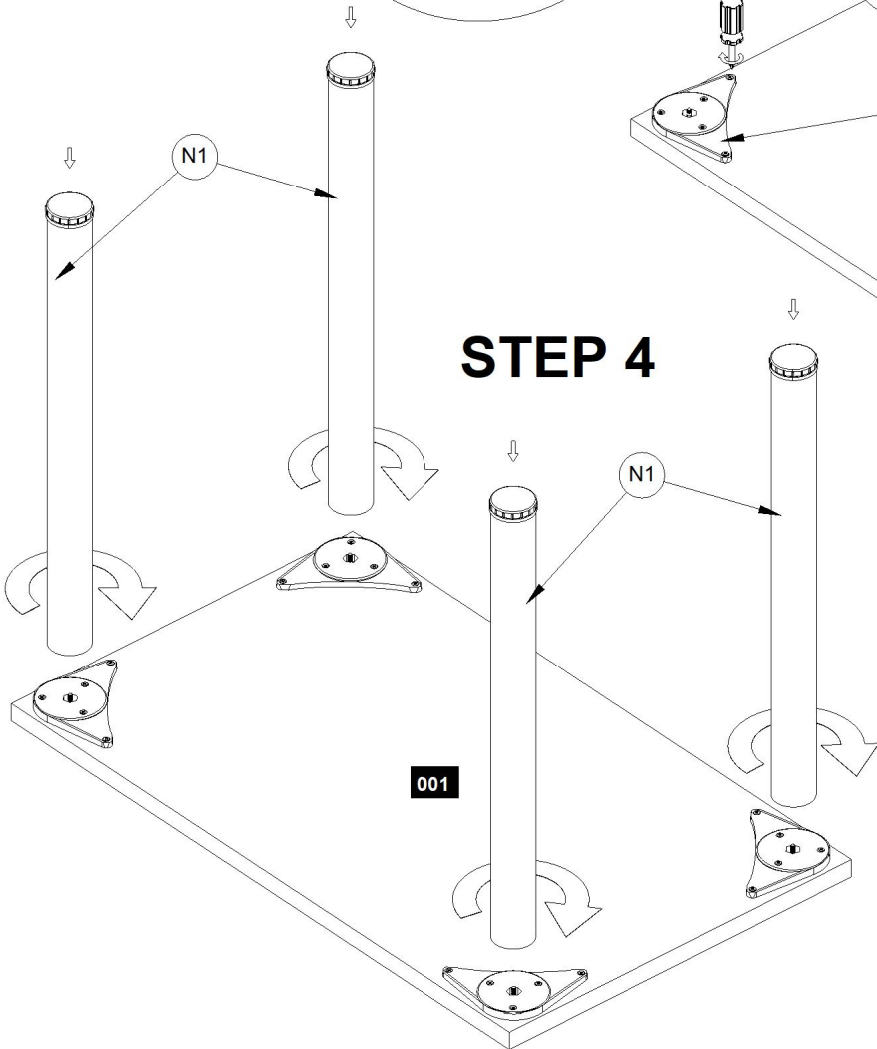
STEP 2



STEP 3



STEP 4



STEP 5

